



now! no.14
by hülsta



1/19

E

www.now.huelsta.com

● ● made in germany

Friends of good taste love the solid, super adaptable range: basically clear and straightforward, now! no.14 also has a playful, extravagant side and some cleverly integrated features in store.

Planning notes

Lists of versions

System versions

Carcase versions

NEW White lacquer

Silk grey lacquer

Front versions

NEW High-gloss white lacquer

High-gloss silk grey lacquer

Core walnut

Accent versions



Accent assembly unit 8R Carcase / front

NEW White lacquer / High-gloss white lacquer

Silk grey lacquer / High-gloss silk grey lacquer

NEW Teal blue lacquer / High-gloss teal blue lacquer

NEW Ruby red lacquer / High-gloss ruby red lacquer

Glass bonnets of stained glass, rear wall of glass bonnets in carcase version. Colour combinations within individual units are not possible.



Accent units open unit 8R, open wall unit 4R, wall shelves

NEW White lacquer

Silk grey lacquer

NEW Teal blue lacquer

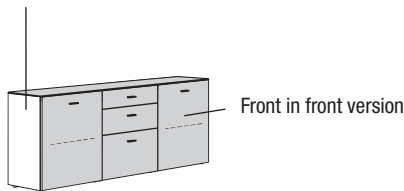
NEW Ruby red lacquer

Core walnut

System versions

(Wall-) assembly units, lowboards, sideboards

Carcase in carcase version



Front in front version

Accent versions



Accent assembly unit 8R

Carcase and rear wall of the glass bonnet in white lacquer, silk grey lacquer, teal blue lacquer or ruby red lacquer



Front in high-gloss white lacquer, high-gloss silk grey lacquer, high-gloss teal blue lacquer or high-gloss ruby red lacquer

Open wall unit, wall shelves

Open wall unit and wall shelves in the versions white lacquer, silk grey lacquer or core walnut



Accent units open unit 8R, open wall unit 4R, wall shelves

Open unit 8R, open wall unit 4R and wall shelves in the versions white lacquer, silk grey lacquer, teal blue lacquer, ruby red lacquer or core walnut



Changing versions:

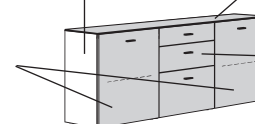
In now! no.14 colour combinations within individual units are possible (exception: not possible with the accent versions of the assembly unit 8R type 38821 L and 38822 R). In this case please state the versions clearly and separately in the order! **Please state all the versions clearly in the order!**

Example:

Doors in high-gloss white lacquer

Carcase in white lacquer

Optional cover shelf in core walnut



Drawers in core walnut

- **hülsta-MagicClose:** All wooden hinge-doors with hülsta-MagicClose (gentle closing)
- **hülsta-SoftFlow:** All drawers with auto pull-in feature with brake as fully pull-out units

- Since 1996, we are entitled to label all of our modular furniture and base frames with the strictly regulated "Blue Angel", which awards products that are low in emissions and especially environmentally friendly.



Please be sure to see the “now! general“ chapter on the following subjects:

- Important notes on including lighting
- Remote control set for LED lamps
- IR repeater set for lowboards
- Flatscreen TV sizes overview
- Flap hinge
- Wall units
- Maximum loads
- Quality of walls / assembly instructions

● ● ● made in germany

now! no.14
by hülsta

Planning notes

Planning assembly units and sideboards

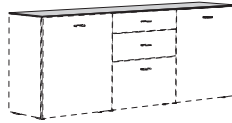
Planning step 1



Choice of unit

Note:
Please state all the versions clearly in the order (see here the information on the previous page).

Planning step 2

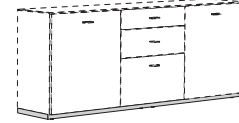


Choice of optional cover shelf

in the required version (can only be fitted on top of assembly units without a glass bonnet and sideboards)

Note:
If assembly units are planned adjacently it is possible to include a full-length cover shelf.

Planning step 3

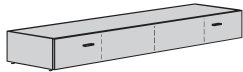


Choice of optional accessories

such as:
- Glass shelf with LED lamps
- Plinth

Planning a lowboard

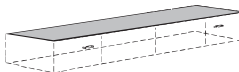
Planning step 1



Choice of unit

Note:
Please state all the versions clearly in the order (see here the information on the previous page).

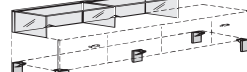
Planning step 2



Choice of optional cover shelf

in the required version

Planning step 3



Choice of optional accessories

such as:
- Glass bonnet
- Legs (set of 5)
- Plinth
- LED light strip

Planning wall units

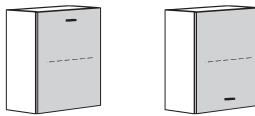
Planning step 1



Choice of unit

Note:
Please state all the versions clearly in the order (see here the information on the previous page).

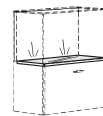
Wall units with door



Wall units with door

Please be sure to state the required handle position (optionally at the top or at the bottom on the door) when ordering wall units with door.

Planning step 2



Choice of optional accessories

such as:
- Glass shelf with LED lamps

Planning a bedroom

Choice of bedroom furniture

You will find the wardrobes and functional and high-quality wardrobe interior fittings, beds and ancillary units as well as base frames and mattresses in the separate **now! wardrobes** and **now! sleeping** type lists.

Carcase versions

NEW White lacquer
Silk grey lacquer

Front versions

NEW High-gloss white lacquer
High-gloss silk grey lacquer
Core walnut

Special combinations

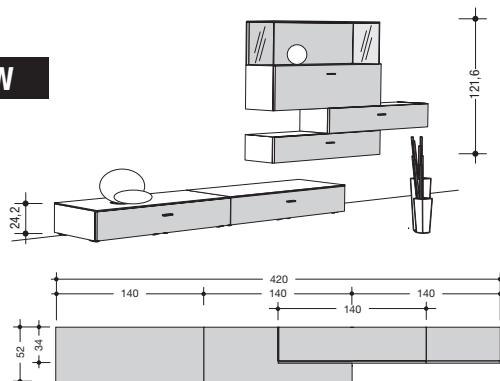
Special combinations are arrangements that are reduced in price. This price advantage is only available when the arrangement is ordered exactly as described. The special combinations can be enhanced by including accessories. These are charged extra.

Recommended accessories

Article	Order no.	
1x Glass bonnet for lowboard	3452	-
1x Glass shelf with LED lamps	30040	-

Information on the energy class:
see the description of the individual units!

NEW



Height: approx. 168 cm

Note:
Cover shelf of the lowboards optionally in wood or glass. Please state the required version clearly in the order!

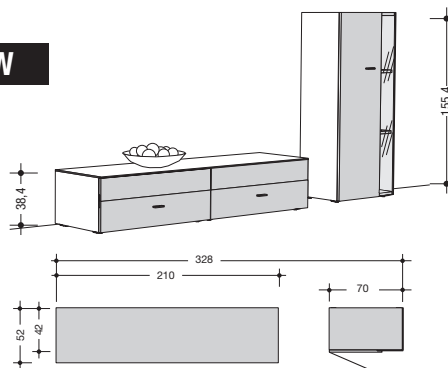
Article	Special combination
Order no.	990010 / 991010
	as illustr. / vice versa

Recommended accessories

Article	Order no.	
1x Glass bonnet for lowboard	3452	-
2x Glass shelf with LED lamps	30073	2x -

Information on the energy class:
see the description of the individual units!

NEW



Note:
Cover shelf of the lowboards optionally in wood or glass. Please state the required version clearly in the order!

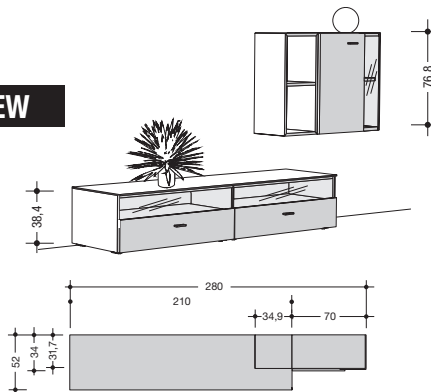
Article	Special combination
Order no.	990011 / 991011
	as illustr. / vice versa

Recommended accessories

Article	Order no.	
2x LED light strip	3105	2x -
1x Glass shelf with LED lamps	30072	-

Information on the energy class:
see the description of the individual units!

NEW



Height: approx. 147 cm

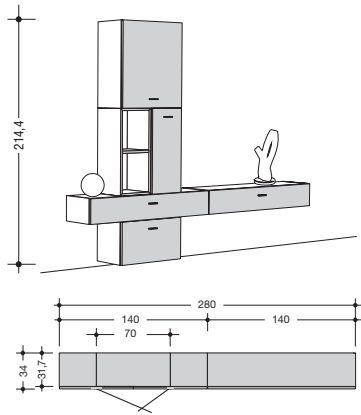
Note:
Cover shelf of the lowboards optionally in wood or glass. Please state the required version clearly in the order!

Article	Special combination
Order no.	990012 / 991012
	as illustr. / vice versa

Suggested combinations

As an alternative to planning an individual unit from the complete range there is the possibility of choosing from specially suggested combinations. This eases planning. Incorporating accessories can enhance the suggested combinations. These are charged extra.

NEW



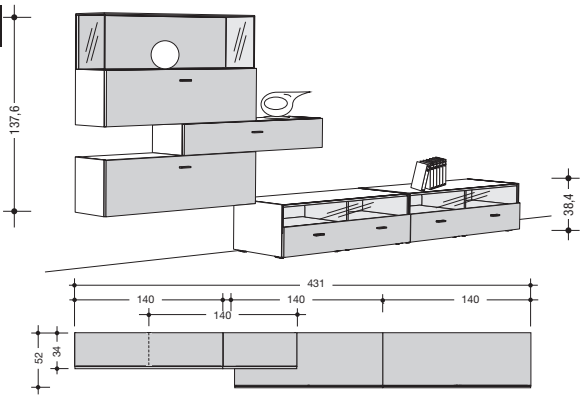
Height: approx. 219 cm

Article	Suggested combination
Order no.	980015 / 981015
	as illustr. / vice versa

Recommended accessories

Article	Order no.	
2x Glass cover shelf for lowboard	2x 3057	2x -
1x Glass shelf with LED lamps	30040	-
4x LED light strip	4x 3140	4x -
2x Plinth	2x 3146	2x -

NEW

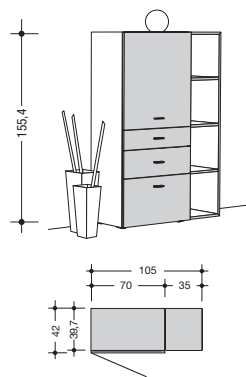


Height: approx. 178 cm

Information on the energy class:
see the description of the individual units!

Article	Suggested combination
Order no.	980017 / 981017
	as illustr. / vice versa

NEW



Article	Suggested combination
Order no.	980019 / 981019
	as illustr. / vice versa

Carcase versions

NEW White lacquer
Silk grey lacquer

Front versions

NEW High-gloss white lacquer
High-gloss silk grey lacquer
Core walnut

Suggested combinations

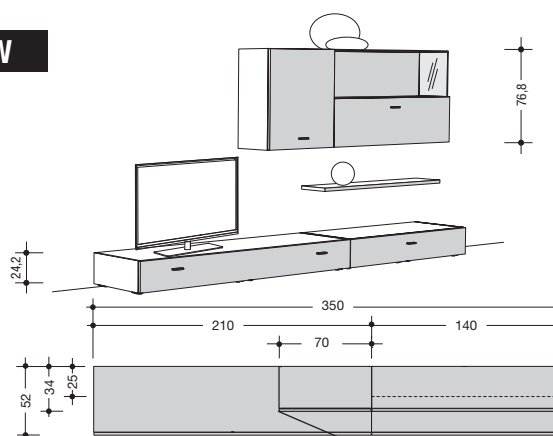
As an alternative to planning an individual unit from the complete range there is the possibility of choosing from specially suggested combinations. This eases planning. Incorporating accessories can enhance the suggested combinations. These are charged extra.

Recommended accessories

Article	Order no.
1x Glass cover shelf for lowboard	3057
1x Glass cover shelf for lowboard	3027
1x Glass shelf with LED lamps	30040
1x Plinth	3146
1x Plinth	3216

Information on the energy class:
see the description of the individual units!

NEW



Height: approx. 171 cm

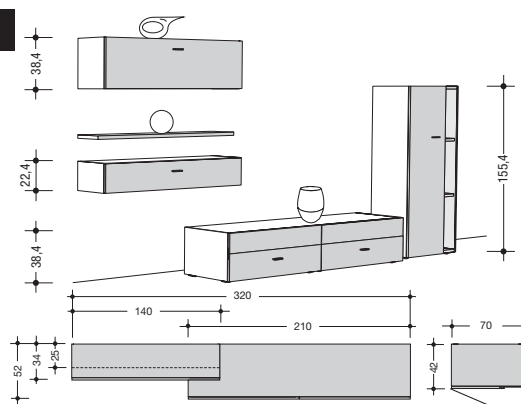
Article	Order no.	Suggested combination
		980016 / 981016
		as illustr. / vice versa

Recommended accessories

Article	Order no.
1x Glass cover shelf for lowboard	3027
2x Glass shelf with LED lamps	30073 2x
1x Plinth	3704
1x Plinth	3216

Information on the energy class:
see the description of the individual units!

NEW



Height: approx. 191 cm

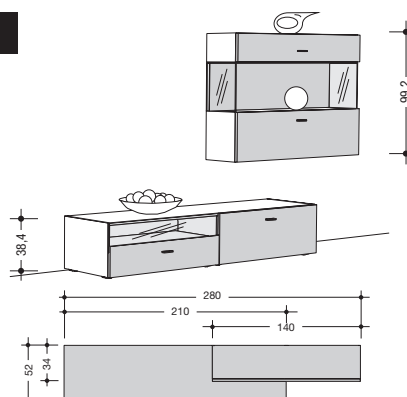
Article	Order no.	Suggested combination
		980018 / 981018
		as illustr. / vice versa

Recommended accessories

Article	Order no.
1x Glass cover shelf for lowboard	3027
1x Glass shelf with LED lamps	30040
1x LED light strip	3105
1x Plinth	3216

Information on the energy class:
see the description of the individual units!

NEW



Height: approx. 174 cm

Article	Order no.	Suggested combination
		980020 / 981020
		as illustr. / vice versa

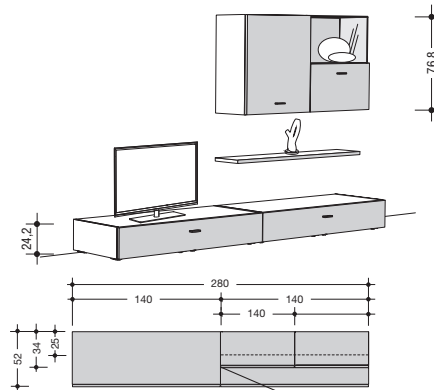
Suggested combinations

As an alternative to planning an individual unit from the complete range there is the possibility of choosing from specially suggested combinations. This eases planning. Incorporating accessories can enhance the suggested combinations. These are charged extra.

Recommended accessories

Article	Order no.	NEW
2x Glass cover shelf for lowboard	2x 3057	2x -
1x Glass shelf with LED lamps	30071	-
2x Plinth	2x 3146	2x -

Information on the energy class:
see the description of the individual units!



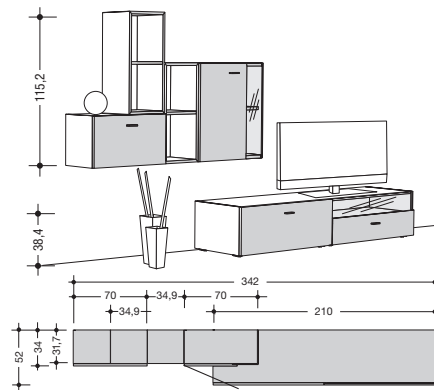
Height: approx. 174 cm

Article	Suggested combination
Order no.	980022 / 981022
	as illustr. / vice versa

Recommended accessories

Article	Order no.	NEW
1x Glass cover shelf for lowboard	3027	-
1x Glass shelf with LED lamps	30072	-
1x LED light strip	3105	-
1x Plinth	3216	-

Information on the energy class:
see the description of the individual units!



Height: approx. 191 cm

Article	Suggested combination
Order no.	980023 / 981023
	as illustr. / vice versa

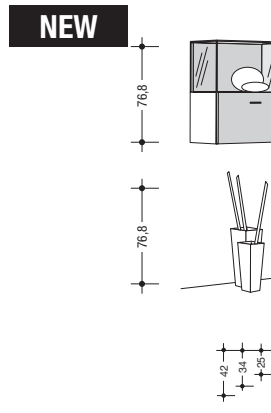
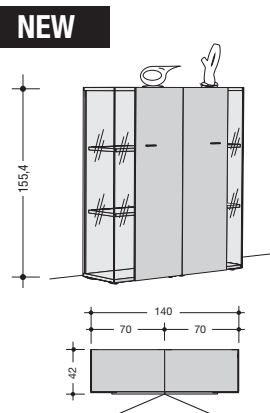
Recommended accessories for suggested combination 980021

Article	Order no.	NEW
4x Glass shelf with LED lamps	4x 30073	4x -
2x Plinth	2x 3704	2x -

Recommended accessories for suggested combination 980024 / 981024

Article	Order no.	NEW
1x Glass cover shelf	3087	-
1x Glass shelf with LED lamps	30071	-
1x Plinth	3174	-

Information on the energy class:
see the description of the individual units!



Height: approx. 191 cm

Article	Suggested combination	Suggested combination
Order no.	980021	980024 / 981024
		as illustr. / vice versa

E

Carcase versions

NEW	White lacquer Silk grey lacquer
------------	------------------------------------

Front versions

NEW	High-gloss white lacquer High-gloss silk grey lacquer Core walnut
------------	---

Assembly units 4R

1 door 3 drawers 2 drawers 1 drawer; 1 door 3 drawers

76.8 cm high
(78.6 cm high
incl. 1.8 cm
high legs)

NEW



Article	Assembly unit 4R				
H x W x D in cm	76.8 x 70 x 42	76.8 x 70 x 42	76.8 x 70 x 42	76.8 x 70 x 42	76.8 x 105 x 42
Order no.	32421 L / 32422 R	33425	3352	37421 L / 37422 R	3372
	-	-	-	-	-

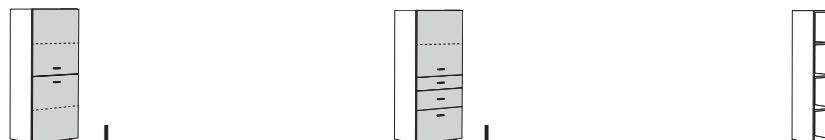
Assembly units 8R

2 doors 1 door; 3 drawers open

153.6 cm high
(155.4 cm high
incl. 1.8 cm
high legs)

NEW

Accent versions are possible, see page 12!



Article	Assembly unit 8R		
H x W x D in cm	153.6 x 70 x 42	153.6 x 70 x 42	153.6 x 35 x 39.7
Order no.	32821 L / 32822 R	338251 L / 338252 R	3182
	-	-	-

Assembly units 8R

1 wooden/glass door 1 glass bonnet (38.4 cm high); 1 wooden/glass door

Lamps for assembly units

Glass shelf with LED lamps; incl. footswitch and preliminary transformer. Later fitting is not possible.

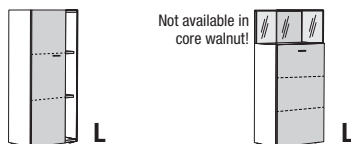
153.6 cm high
(155.4 cm high
incl. 1.8 cm
high legs)

NEW

Accent versions are possible, see page 12!

NEW

Not available in core walnut!



This luminaire contains built-in LED lamps of the energy classes A++ to A. The lamps cannot be changed in the luminaire. 12 V

Remote control for LED lamps: type **3333**

Article	Assembly unit 8R		Article	Glass shelves with LED lamp	
H x W x D in cm	153.6 x 70 x 42	153.6 x 70 x 42		for type 32021 L / 32022 R; 3 W	for type 38821 L / 38822 R; 3 W
Order no.	32021 L / 32022 R as illustr. / vice versa	38821 L / 38822 R		30073	30070
	-	-		-	-

Plinth for assembly units

Aluminium colour

3.8 cm high
(4.5 cm high
incl. 0.7 cm
high legs)

NEW



Article	Plinth		
H x W x D in cm	4.5 x 35 x 42	4.5 x 70 x 42	4.5 x 105 x 42
Order no.	3354	3704	3104
	-	-	-

Fitted shelf for assembly units



Article	Fitted shelf
H x W x D in cm	1.6 x 66.6 x 37.7
Order no.	3702
	-

Cover shelves for assembly units without glass bonnet

Optional wooden cover shelf for assembly units in core walnut.

Optional glass cover shelf for assembly units of rear-lacquered glass, white or silk grey. Please state the required version clearly in the order!



Article	Wooden cover shelf					Glass cover shelf				
H x W x D in cm	1.5 x 70 x 42	1.5 x 105 x 42	1.5 x 140 x 42	1.5 x 175 x 42	1.5 x 210 x 42	0.8 x 70 x 42	0.8 x 105 x 42	0.8 x 140 x 42	0.8 x 175 x 42	0.8 x 210 x 42
Order no.	3075	3065	3045	3085	3015	3077	3067	3047	3087	3017
	-	-	-	-	-	-	-	-	-	-

L/R = Door hinge left/right

Lowboards 1R

1 flap

1 flap

22.4 cm high
(24.2 cm high
incl. 1.8 cm
high legs)

Usable inside dims. per compartment:
Height: 18.5 cm
Width: 67.4 cm
Depth: 44.8 cm

Usable inside dims. outer (inner) compartments:
Height: 18.5 cm
Width: 44.8 cm (55.7 cm)
Depth: 44.8 cm

Infrared repeater set
for lowboards:
type **7777** -



Article	Lowboard 1R	
	H x W x D in cm	22.4 x 140 x 52
Order no.	3442	3412
	-	-

Lowboards 2R

1 flap with
1 centre partition

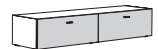
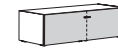
2 flaps

38.4 cm high
(40.2 cm high
incl. 1.8 cm
high legs)

NEW
Usable inside dims. behind flap per compartment:
Height: 34.5 cm
Width: 67.3 cm
Depth: 44.8 cm

NEW
Usable inside dims. behind flaps:
Height: 34.5 cm
Width: 101.7 cm
Depth: 44.8 cm

Infrared repeater set
for lowboards:
type **7777** -



Article	Lowboard 2R	
	H x W x D in cm	38.4 x 140 x 52
Order no.	31403	32104
	-	-

Lowboards 2R

1 drawer with wooden/
glass front and split drawer
frame

2 drawers with
wooden/glass front

2 drawers with
split-look front

1 drawer with wooden/glass front;
1 drawer with split look front

38.4 cm high
(40.2 cm high
incl. 1.8 cm
high legs)

NEW
Usable inside dims. behind glass front per compartment:
Height: 16.0 cm
Width: 67.3 cm
Depth: 44.8 cm

NEW
Usable inside dims. behind glass front per compartment:
Height: 16.0 cm
Width: 102.3 cm
Depth: 44.8 cm

NEW
Usable inside dims. of top compartments behind wooden front per compartment:
Height: 16.0 cm
Width: 102.3 cm
Depth: 44.8 cm

NEW
Usable inside dims. of top compartments behind glass resp. wooden front:
Height: 16.0 cm
Width: 102.3 cm
Depth: 44.8 cm

Infrared repeater set
for lowboards:
type **7777** -



Article	Lowboard 2R			
	H x W x D in cm	38.4 x 140 x 52	38.4 x 210 x 52	38.4 x 210 x 52
Order no.	31402	32102	32103	321061 / 321062 as illustr. / vice versa
	-	-	-	-

Lowboards 2R

1 drawer with wooden/
glass front; 1 flap

38.4 cm high
(40.2 cm high
incl. 1.8 cm
high legs)

Usable inside dims. behind glass front:
Height: 16.0 cm
Width: 102.3 cm
Depth: 44.8 cm

Usable inside dims. behind flap:
Height: 34.5 cm
Width: 102.3 cm
Depth: 44.8 cm

Infrared repeater set
for lowboards:
type **7777** -

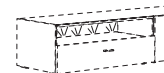


Article	Lowboard 2R	
	H x W x D in cm	38.4 x 210 x 52
Order no.	3461 / 3462 as illustr. / vice versa	
	-	

Lamps for lowboards with wooden/glass front

Set of LED light strips; fitted behind the glass section of wooden/glass fronts; incl. footswitch and preliminary transformer. Later fitting is possible.

NEW



Remote control
for LED lamps:
type **3333** -

This luminaire contains built-in LED lamps of the energy classes A++ to A. The lamps cannot be changed in the luminaire. 12 V

Article	LED light strip for lowboards behind glass front	
		for 70 cm wide glass front, 3.0 W
Order no.	3140	3105
	-	-

Plinth for lowboards

Aluminium colour

3.8 cm high
(4.5 cm high
incl. 0.7 cm
high legs)

NEW

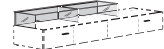


Article	Plinth	
	H x W x D in cm	4.5 x 140 x 52
Order no.	3146	3216
	-	-

Legs for lowboards, glass bonnet

Usable inside dims. per compartment:
Height: 15.2 cm
Width: 68.7 cm
Depth: 37.2 cm

Set of 5



Max. load: 60 kg

Article	Legs (set of 5)		Glass bonnet
	H x W x D in cm	8.6 x 9.2 x 2.0	
Order no.	3400		3452
	-		-

Cover shelves for lowboards

Optional wooden cover shelf for lowboards in core walnut.

Optional glass cover shelf for lowboards of rear-lacquered glass, white or silk grey. Please state the required version clearly in the order!



Article	Wooden cover shelf		Glass cover shelf	
	H x W x D in cm	1.5 x 140 x 52	1.5 x 210 x 52	0.8 x 140 x 52
Order no.	3055	3025	3057	3027
	-	-	-	-

E

Carcase versions

NEW	White lacquer Silk grey lacquer
------------	------------------------------------

Front versions

NEW	High-gloss white lacquer High-gloss silk grey lacquer Core walnut
------------	---

Sideboards 4R

3 drawers; 1 door

6 drawers

6 drawers

2 doors; 3 drawers

76.8 cm high
(78.6 cm high
incl. 1.8 cm
high legs)

NEW



NEW



NEW



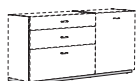
Article	Sideboard 4R			
H x W x D in cm	76.8 x 175 x 42	76.8 x 175 x 42	76.8 x 210 x 42	76.8 x 210 x 42
Order no.	31701 / 31702	31711 / 31712	32105	39325
	as illustr. / vice versa	as illustr. / vice versa	-	-

Plinth for sideboards

Aluminium colour

3.8 cm high
(4.5 cm high
incl. 0.7 cm
high legs)

NEW



Article	Plinth	
H x W x D in cm	4.5 x 175 x 42	4.5 x 210 x 42
Order no.	3174	3214
	-	-

Fitted shelf for sideboards



Article	Fitted shelf
H x W x D in cm	1.6 x 66.6 x 37.7
Order no.	3702
	-

Cover shelves for sideboards

Optional wooden cover shelves for sideboards in core walnut.

Optional glass cover shelves for sideboards of rear-lacquered glass, white or silk grey. Please state the required version clearly in the order!



Article	Wooden cover shelf		Glass cover shelf	
H x W x D in cm	1.5 x 140 x 42	1.5 x 210 x 42	0.8 x 140 x 42	0.8 x 210 x 42
Order no.	3085	3015	3087	3017
	-	-	-	-

Wall units 1 and 2R

1 flap

1 flap

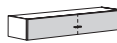
Flap hinge at bottom

Flap hinge at top

Flap hinge at bottom

NEW

NEW



Article	Wall unit 1R		Wall unit 2R	
H x W x D in cm	22.4 x 140 x 34	22.4 x 140 x 34	38.4 x 70 x 34	38.4 x 140 x 34
Order no.	3142	3143	3222	3252
	-	-	-	-

Wall units 4R

1 door

1 door

1 glass bonnet
(38.4 cm high);
1 flap

1 wooden/glass door

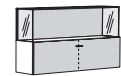
1 glass bonnet
(38.4 cm high);
1 flap with 1 partition

Please be sure to state the required handle position when ordering wall units with door (see here the information on the introductory page).

NEW

Max. load of glass bonnet: 20 kg

Max. load of glass bonnet: 20 kg



Article	Wall unit 4R				
H x W x D in cm	76.8 x 35 x 34	76.8 x 70 x 34	76.8 x 70 x 34	76.8 x 70 x 34	76.8 x 140 x 34
Order no.	31121 L / 31122 R	31421 L / 31422 R	3172	31821 L / 31822 R as illustr. / vice versa	3152
	-	-	-	-	-

LED lamps for wall units

Glass shelf with LED lamps; incl. footswitch and preliminary transformer. Later fitting is not possible.



Remote control
for LED lamps:
type 3333

This luminaire contains built-in LED lamps of the energy classes A++ to A. The lamps cannot be changed in the luminaire. 12 V


Article	Glass shelf with LED lamps		
	for 70 cm wide wall units; 3 W	for 140 cm wide wall units; 6.5 W	for type 31821 L / 31822 R; 3 W
Order no.	30071	30040	30072
	-	-	-

Open wall unit

Open wall unit in white lacquer, silk grey lacquer or core walnut. Please state the required version clearly in the order!

Wall shelves

Wall shelves in white lacquer, silk grey lacquer or core walnut. Please state the required version clearly in the order!

 Max. load of open wall unit: 20 kg

NEW

Accent versions are possible, see page 12!

NEW

Accent versions are possible, see page 12!



Article	Open wall unit 4R	Article	Wall shelves	
H x W x D in cm	76.8 x 34.9 x 31.7	H x W x D in cm	2.6 x 70 x 25	2.6 x 140 x 25
Order no.	3736	Order no.	3672	3642
	-		-	-

E

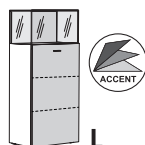
Accent units

Assembly units 8R

1 glass bonnet (38.4 cm high); 1 wooden/glass door

153.6 cm high
(155.4 cm high
incl. 1.8 cm
high legs)

 Max. load of glass bonnet: 20 kg



Accent assembly unit 8R Carcase / front

- NEW** White lacquer / High-gloss white lacquer
- NEW** Silk grey lacquer / High-gloss silk grey lacquer
- NEW** Teal blue lacquer / High-gloss teal blue lacquer
- NEW** Ruby red lacquer / High-gloss ruby red lacquer

Glass bonnets of stained glass, rear wall of glass bonnets in carcase version.
Colour combinations within individual units are not possible.

Article	Assembly unit 8R
H x W x D in cm	153.6 x 70 x 42
Order no.	38821 L / 38822 R
	-

Lamps for assembly units

Glass shelves with LED lamps; incl. footswitch and preliminary transformer. Later fitting is not possible.




Remote control
for LED lamps:
type **3333**

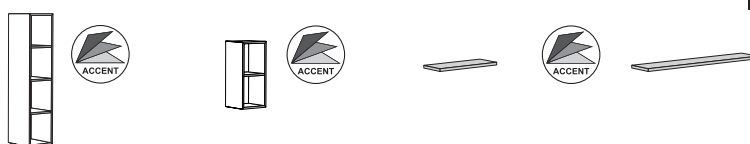
This luminaire contains built-in LED lamps of the energy classes A++ to A. The lamps cannot be changed in the luminaire. 12 V

Article	Glass shelves with LED lamp for type 38821 L / 38822 R; 3 W
Order no.	30070
	-

Open unit 8R, open wall unit 4R, wall shelves

open open

 Max. load of open wall unit: 20 kg



Accent units open unit 8R, open wall unit 4R, wall shelves

- NEW** White lacquer
- NEW** Silk grey lacquer
- NEW** Teal blue lacquer
- NEW** Ruby red lacquer
- Core walnut

Article	Assembly unit 8R	Open wall unit 4R	Wall shelves	
H x W x D in cm	153.6 x 35 x 39.7	76.8 x 34.9 x 31.7	2.6 x 70 x 25	2.6 x 140 x 25
Order no.	3182	3736	3672	3642
	-	-	-	-

Dining tables and chairs:
see **now!** dining type list.

Wardrobes:
see **now!** wardrobes type list.

Beds:
see **now!** sleeping type list.

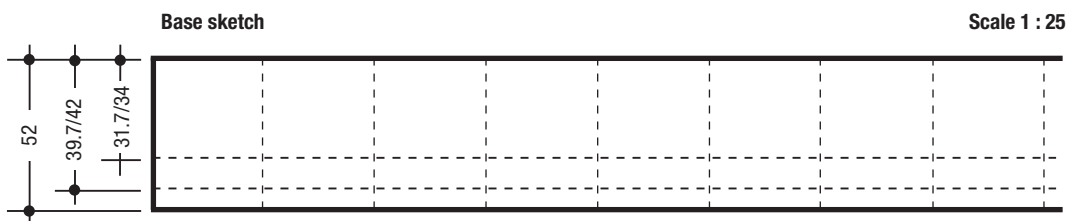
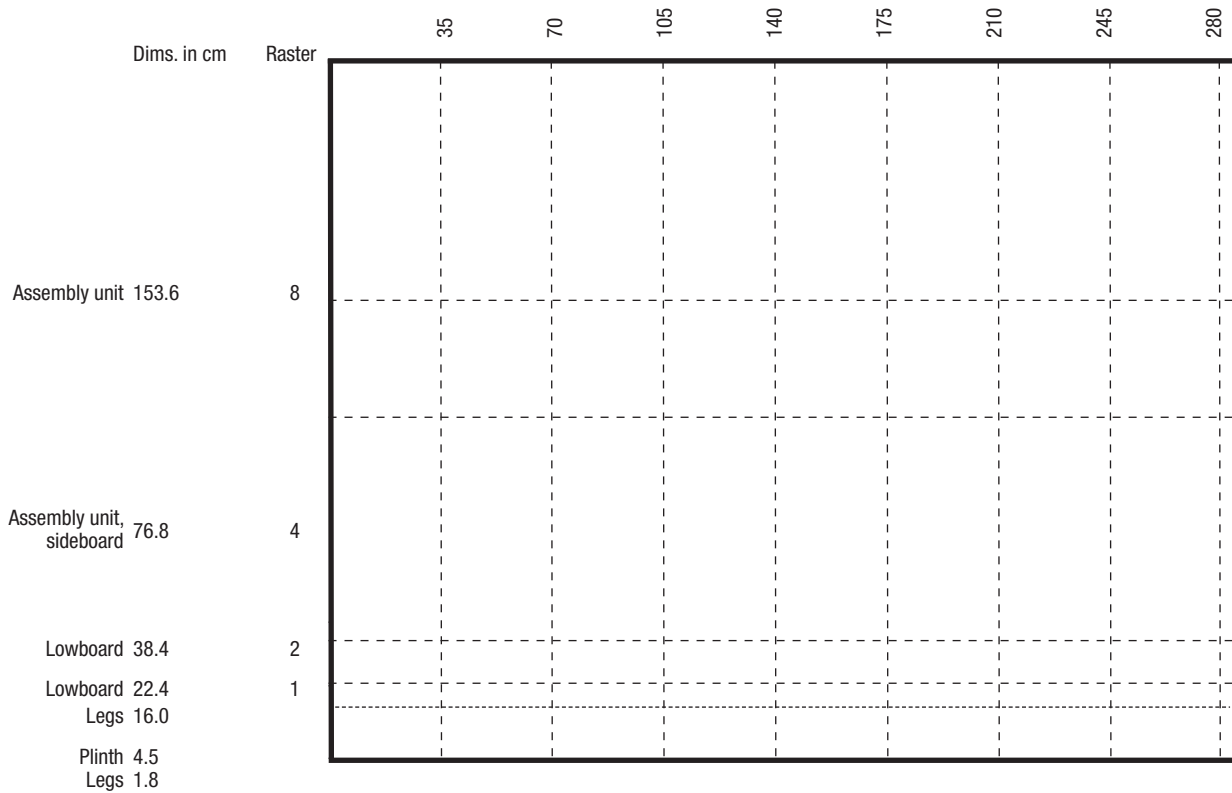
Sketch raster for the now! no.14 range

Please superimpose unlined paper and write firmly. In order to avoid slipping, use 2 paper clips or fold the edge of the drawing sheet.

Check list

- 1.) Do the **sketch** and the **order** match? Do the **dimensions** and the **sketch** match the type number? Are all **type numbers** correctly stated in the sketch? Can one see the position of **door hinges**?
- 2.) Are all **type numbers** correct? Have you perhaps confused **price** and **type numbers**?
- 3.) In combinations of **wooden, lacquer and high-gloss lacquer versions**: is it clear which units are to be delivered in which version?
- 4.) Are all **accessories** such as fitted glass shelves with lamps (later assembly not possible) etc. included in the sketch?
- 5.) Is this an **additional order**? If so, when was the **original order**? If possible, include a sketch on which the existing and new units are clearly marked.

Please also remember the planning notes on the introductory pages!



Important note!

Please do not forget to include the following details with each order. This avoids time-consuming correspondence and unnecessary delays in delivery.

Version(s)	Customer	Date	Commission
------------	----------	------	------------

Important notes on including lighting

In all now! ranges lighting with manual switches may only be included **on furniture units** (e.g. the top LED lamp for wardrobes) or **in open compartments, open carcasses or behind clear glass fronts or fronts with a clear glass panel** (e.g. the light strip with LED lamps). **It is not possible to include lighting behind non-transparent fronts (e.g. wood, lacquer, high-gloss fronts or fully rear-lacquered glass fronts).**

Remote control set

Remote control set

(only possible with lamps with LED technology)

The lamps are normally operated by an external footswitch. As an alternative we can also provide a **remote control unit**, which is charged extra. The remote control unit incorporates a transmitter with which you can switch all the LED lamps on and off (max. 6 lamps / max. 15 W). The footswitch is omitted when a remote control unit is included.

The remote control set consists of:

- 1 transmitter
- 1 receiver
- 1 LED EVG 12 V DC/15 W

Article	Remote control Set for LED lamps
Order no.	3333
	-

IR repeater set

IR repeater set

Infrared signal transmission set for operating media units behind wooden/high-gloss fronts. You can operate as many media units as you like in one compartment with one set. The following applies:

- At least 4 cm distance between unit and front
- One set must be used for each compartment
- The transmitter must be placed in the immediate vicinity of the receiver eye of the media unit
- High-frequency signals cannot be transmitted

The IR repeater set consists of:

- 1 receiver eye (Ø 3.0 cm) incl. standing bracket (4.2 x 5.5 x 3.0 cm)
- 1 electric transmitter
- 1 plug EVG 12 V
- Cable clamps

Article	Infrared repeater set for lowboards (1 set per compartment)
Order no.	7777
	-

NEW

Cable aperture assembly set

Cable aperture assembly set

Cable aperture assembly set for fitting cable apertures on site in cover shelves, carcasses, centre partitions and rear walls in wood/lacquer/high-gloss lacquer versions. The cable aperture drill bit can be used with all standard power drills.

The cable aperture assembly set consists of:

- 1 cable aperture drill bit (Ø 60 mm)
- 3x cable aperture type K3 (aluminium colour)

Please be sure to follow the information and notes in the assembly instructions!

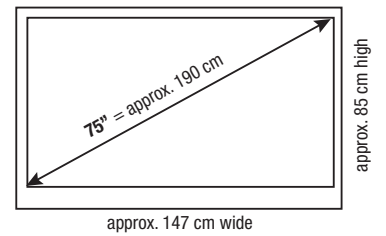
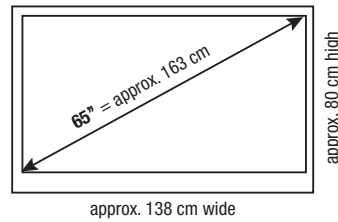
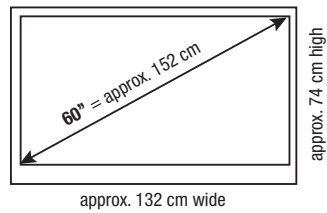
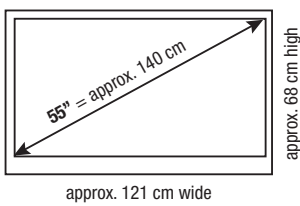
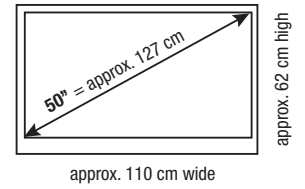
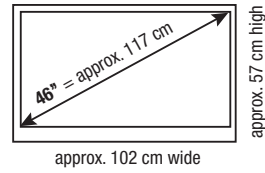
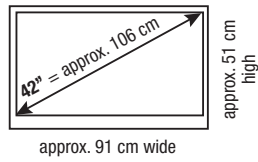
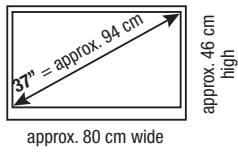
Article	Cable aperture assembly set
Order no.	1111
	-

Flatscreen TV sizes overview

Flatscreen TV sizes overview

These schematic drawings are only for purposes of orientation as to how high and wide flatscreen TV's with different screen diagonal measurements are. The sizes depicted below are however only approximate and vary according to the manufacturer.

On the basis of the sizes you can estimate approximately how wide a lowboard for example has to be so that the flatscreen TV does not protrude at the sides.



Flap hinge

Flap hinge

If not otherwise marked in the type list, all the units with a flap have the flaps hinges at the bottom.

Wall units in general

Important notes:

Generally speaking, you as a dealer/qualified fitter are responsible for the correct wall mounting of the units. That is why wall mounting should only be carried out by properly trained and qualified fitters. hülsta supplies materials for mounting units on walls for nearly all the units and which should be used for safety and for constructional reasons. The assembly materials supplied by hülsta (plugs, screws) are only suitable for fitting components on to concrete in firmness class C12/15.

For other materials (please see next page) we provide you with an assembly mortar set as an extra order. Please note that this assembly mortar set is also only suitable for the materials listed in the materials table. If walls are made up of other materials (e.g. plastered or lighter wall materials), one should use another method of mounting better suited to the load on site. Please note that if the units are not mounted properly on the wall, there is a risk of the units falling down or tipping over – especially when alternative mounting materials acquired on site have been used.

For the reasons stated above it is absolutely essential to enquire about the composition of any walls before signing any contracts.

Further notes:

If 2 - 8 Raster (assembly) units are included as wall units, a maximum load per unit of 40 kg must not be exceeded for reasons of stability!

The wall units can only be fitted on absolutely solid walls. Light masonry is not suitable for this purpose.

If (assembly) units are stacked on top of one another, a wall bracket must be ordered for each stacked unit.

For each project please remember to leave a 2.0 cm gap at the top to be able to mount units.

Maximum loads

Maximum loads

Max. load of wooden and glass (fitted) shelves (up to 70.5 cm wide) and drawers: 25 kg

Max. load of wooden and glass (fitted) shelves (between 70.5 and 105.7 cm wide): 15 kg

Max. load of wooden and glass (fitted) shelves (from 105.7 cm wide): 10 kg

Max. load of cover shelves: 35 kg per metre length for floor units.

Please also note any maximum loads which may be stated in the type list for the individual units!








Wall composition / assembly instruction

Important notes:

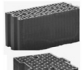
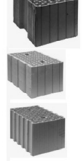


The quality of the wall must be checked carefully by qualified personnel before assembly takes place.

Units must only be assembled by qualified personnel who carefully observe the assembly instructions.

The plastic plugs with the type number PSD-SL 8x90 from the Tox company which are supplied by hülsta are suitable when the quality of the wall and the pressure resistance levels comply with the table below. Under no circumstances can units be fitted on light masonry.

Concrete and solid brick		Concrete	\geq C20/25	Pressure resistance \geq 20 N/mm ²	DIN 1045/1 ETAG 001		Vertically perforated brick	Hlz 12	Pressure resistance \geq 10 N/mm ²	DIN 105-1
		Solid bricks	Mz 12	Pressure resistance \geq 12 N/mm ²	DIN 105 DIN EN 771-1		Precision blocks	PNE	Pressure resistance \geq 10 N/mm ²	Z-17.1-636
		Solid sand-lime brick	KS 12 KSL 12	Pressure resistance \geq 12 N/mm ²	DIN 106 DIN EN 771-2		Perforated sand-lime brick	ST 9	Pressure resistance \geq 10 N/mm ²	DIN 105-1
					Solid brick with porous density		Porous concrete		Pressure resistance \geq 2.5 N/mm ²	

We also supply mounting sets with compound mortar from the Tox company for the following types of walls. Again, units must only be assembled by qualified personnel who carefully consider the quality of the wall and observe the assembly instructions. The pressure resistance levels stated must be adhered to at all times.

Perforated brick and vertically perforated brick		Pressure resistance \geq 4 N/mm ²	Mounting sets and cartridge applicator tool														
			Cartridge applicator tool One cartridge applicator tool must be ordered once with a mounting set.	Mounting set 1 incl. special mounting materials such as screws and plugs as well as mortar compound; suitable for 140 cm wide wall units (with 3 wall mounting points)	Mounting set 2 incl. special mounting materials such as screws and plugs as well as mortar compound; suitable for 210 cm wide wall units (with 4 wall mounting points)												
Hollow blocks with light concrete		Pressure resistance \geq 2 N/mm ²															
			<table border="1" style="width: 100%; border-collapse: collapse;"> <thead> <tr> <th style="width: 25%;">Article</th> <th style="width: 25%;">Cartridge applicator tool</th> <th style="width: 25%;">Set 1</th> <th style="width: 25%;">Set 2</th> </tr> </thead> <tbody> <tr> <td>Order no.</td> <td style="text-align: center;">2222</td> <td style="text-align: center;">5555</td> <td style="text-align: center;">8888</td> </tr> <tr> <td></td> <td style="text-align: center;">-</td> <td style="text-align: center;">-</td> <td style="text-align: center;">-</td> </tr> </tbody> </table>	Article	Cartridge applicator tool	Set 1	Set 2	Order no.	2222	5555	8888		-	-	-		
Article	Cartridge applicator tool	Set 1	Set 2														
Order no.	2222	5555	8888														
	-	-	-														

It is essential for qualified personnel to choose a different and more suitable mounting method in all other cases. hülsta cannot be held responsible for the technically correct choice of different mounting methods!

now! no.14

Stand: E 1.2019

Design and concept legally protected, subject to error and alterations to construction, colour and materials by way of technological progress.
© Copyright by hülsta · Imprimé en Allemagne · Printed in Germany

hülsta-werke · Karl-Hüls-Straße 1 · D-48703 Stadtlohn
Tel. +49 (0) 2563 / 86-0 · Fax +49 (0) 2563 / 86-1000
www.now.huelsta.com

