

# Pulsso

---

6/19

E

Type list



# PULSO

## NEW range

### Contents

	Page
Range introduction, lists of versions	2-4
Wardrobes	5
Hinge-door wardrobes	6-9
Beds with wooden headboard, accessories for beds	10-11
Ancillary units, ancillary table, radio remote control	12-13
<b>General information:</b>	
Special-sized products, special articles	14-15
Switch options for lamps	16-17
Usable bed inside height and space under bed	18
Important notes: wall composition / assembly instruction	19

PULSO adds elegant impact to the bedroom. The characteristic bed design combines pure shapes with an inviting atmosphere to create favourite furniture for everyone who like to sleep in style. The storage units of the range follow the same principle – generous, versatile and a little extravagant.

### Wardrobes

Height reductions at intervals of 1.0 cm without surcharge

- Hinge-door wardrobes according to the endless assembly principle
- Wardrobe with plain doors (and drawers) with handle slat or design doors with shell handle; handle slat and shell handle optionally in a different version than the hinge-doors
  - Optionally with flush-front mirrors (against surcharge)
  - With optional cornice profile and/or top LED lamp (12 V; 2.4 W)
  - Wardrobe interior carcass in standard white lacquer
  - Standard interior fittings: 2 fitted shelves, 1 clothes rod
  - Functional and high-quality interior wardrobe fittings (see “Wardrobe interior fittings” type list)

### Beds

- Beds with wooden headboard; in three widths and three lengths
- Comprehensive bed accessories: arched support, LED headboard lamp, socket and USB socket for headboard

In combination with the hülsta Sleeping System, the beds guarantee highest sleeping comfort. With its high-quality spring base frames and mattresses, the hülsta Sleeping System provides the perfect prerequisites for relaxing sleep (see “SLEEPING SYSTEMS“ type list).

### Ancillary units

- Consoles in one height and two widths, ancillary table
- Chests with drawers or doors, high chests with drawers or with flap and drawers, wall chests with drawers; in four widths
- Angled shelves, with optional LED lamp
- Drawer frames of consoles and chests in standard grey version

### Quality features

- Wardrobe doors with handle slat resp. shell handle and spring hinges
- All metal hinges
- Visually unobtrusive 2.5 mm drilled holes for wardrobes
- Centre partitions and end side-sections of wardrobes with special plinth adjustment
- **hülsta-SoftFlow:** Drawers of wardrobes on hidden bearings incl. auto pull-in feature with brake as fully pull-out units
- **hülsta-Push-to-open:** Drawers and doors of ancillary units with hülsta-Push-to-open device
- **hülsta-MagicClose:** All wardrobe doors with door cushioning system

## Lists of versions

### Wardrobes

Model no.	Wardrobe exterior carcass and front, cornice profile	Price group	Model no.	Accent front, shell handle of design doors	Price group	Model no.	Handle slat of plain doors and drawers
648 685 833	Pure white lacquer Natural oak Core walnut	I II II	648 665 685 833	Pure white lacquer Anthracite structured lacquer Natural oak Core walnut	I I II II	648 665	Pure white lacquer Anthracite structured lacquer

#### Changing versions

The model no. for the wardrobe exterior carcass, wardrobe front, shell handle/handle slat and cornice profile must be stated separately as colour combinations are possible. If versions from different price groups are exchanged, the higher price group is always charged (exception: exchanging versions of shell handle/handle slat). Wardrobe interior carcass in standard white lacquer version.

### Beds

Model no.	Headboard and bed sides	Price group	Model no.	Bed corners, legs and arched support
648 685 833	Pure white lacquer Natural oak Core walnut	I II II	648 665	Pure white lacquer Anthracite structured lacquer

#### Changing versions

The model no. for the bed headboard and the bed sides must be stated separately as colour combinations are possible. If versions from different price groups are exchanged, the higher price group is always charged (exception: exchanging versions of bed corners, legs and arched support).

### Ancillary units

Model no.	Ancillary unit exterior carcass and front	Price group	Model no.	Accent front	Price group
648 685 833	Pure white lacquer Natural oak Core walnut	I II II	648 665 685 833	Pure white lacquer Anthracite structured lacquer Natural oak Core walnut	I I II II

#### Changing versions

The model no. for the ancillary unit exterior carcass and front must be stated separately, as colour combinations are possible. When exchanging versions from different price groups, the higher price group is always charged. Ancillary unit interior carcass in standard white lacquer version.

### Ancillary table

Model no.	Tabletop	Price group	Model no.	Table substructure
648 665 685 833	Pure white lacquer Anthracite structured lacquer Natural oak Core walnut	I I II II	648 665	Pure white lacquer Anthracite structured lacquer
145 165	Ceramic calacatta Ceramic storm nero	III III		

#### Changing versions

The model no. for the tabletop and table substructure must be stated separately, as colour combinations are possible.

# Range introduction

## Labelling in type list drawings / assembly notes for wall units

### Labelling in type list drawings / assembly notes for wall units

The majority of units have two wall mounting points (= number of base plates), if these are to be fitted as wall units. This is not explicitly mentioned in the type list. If a different number of wall mounting points (= base plates) is required, this is marked in the drawings in the type list with numbers in black boxes. Please be sure to note here the information and notes in the "Wall composition" chapter!

3

4

## Notes on delivery

### Notes on delivery:

The majority of the units are delivered standard as **fully connected units (glued)** so that the carcass **cannot be disassembled**. There are however some **exceptions** to this rule:

Some carcasses are delivered as complete units but can be **disassembled into individual sections** in the final customer's home. These types are marked with a **1** in the type list.

1

Some carcasses are delivered **in individual sections** because of their size. These types are marked with a **2** in the type list.

2

The fronts with the number **2** are delivered separately and can therefore always be (dis-) assembled.

## Wall fitting

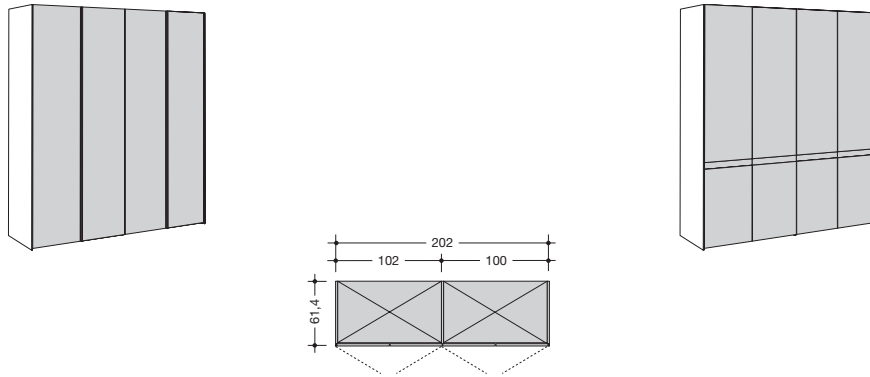
**Important notes:** Generally speaking, you as a dealer/qualified fitter are responsible for the correct wall mounting of the units. That is why wall mounting should only be carried out by properly trained and qualified fitters. hülsta supplies materials for mounting units on walls for nearly all the units and which should be used for safety and for constructional reasons. The assembly materials supplied by hülsta (plugs, screws) are only suitable for fitting components on to concrete in firmness class C12/15. For other materials (please see separate materials table in the wall composition chapter) we provide you with an assembly mortar set as an extra order. Please note that this assembly mortar set is also only suitable for the materials listed in the materials table. If walls are made up of other materials (e.g. plastered or lighter wall materials), one should use another method of mounting better suited to the load on site. Please note that if the units are not mounted properly on the wall, there is a risk of the units falling down or tipping over – especially when alternative mounting materials acquired on site have been used. For the reasons stated above it is absolutely essential to enquire about the composition of any walls before signing any contracts.

## Possible arrangements



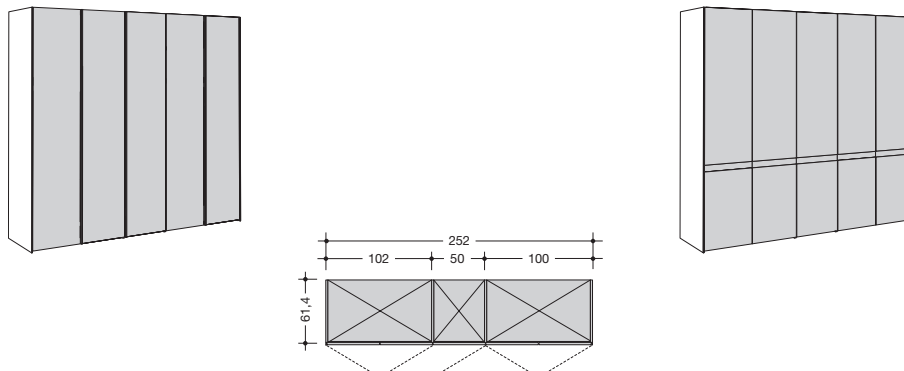
As an alternative to planning an individual unit from the complete range there is the possibility of choosing from specially suggested wardrobes. This eases planning. Incorporating accessories can enhance the wardrobes. These are charged extra.

**4-door hinge-door wardrobe**  
202 cm wide



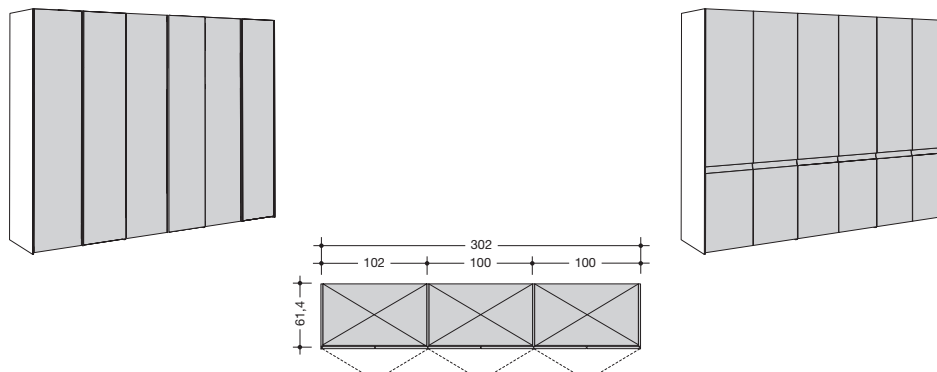
	A810	D810
Price gr.	-	-
I	-	-
II	-	-

**5-door hinge-door wardrobe**  
(centre door with right hinges)  
252 cm wide



	A811	D811
Price gr.	-	-
I	-	-
II	-	-

**6-door hinge-door wardrobe**  
302 cm wide



	A812	D812
Price gr.	-	-
I	-	-
II	-	-



# Hinge-door wardrobes

## Notes on planning hinge-door wardrobes according to the endless assembly principle

Hinge-door wardrobes can be planned endlessly and combined with one another. Due to the various element widths one can create many total wardrobe widths. In this way the available floor space can be exploited to the full. For each wardrobe combination, the first element on the left is considered to be the basic unit, incorporating both outer side-sections. One can only include one basic unit in each combination. When adding on extension units, the right-hand side-section of the basic unit is employed as the end side-section of the complete combination. In the case of single-door hinge-door units one can choose between left- and right-hand hinges. The graphics shown below give you an excerpt from our wardrobe assortment.

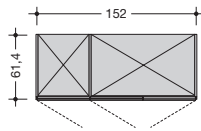
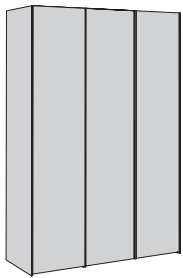
Standard interior fittings per unit: 2 fitted shelves, 1 clothes rod.  
All interior surfaces are in white lacquer.

## Dimensions

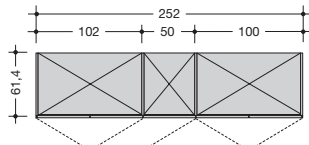
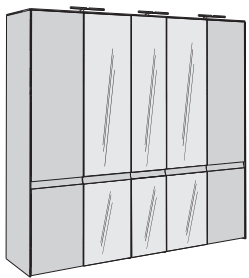
	without cornice profile	with cornice profile	with top LED lamp	with cornice profile and top LED lamp
Heights incl. plinth:	229.6 cm	230.8 cm	234.6 cm	235.8 cm
Height reductions at intervals of 1.0 cm without surcharge				
Depths:	61.4 cm	61.5 cm	74.2 cm	68.7 cm
Widths:	see pages 7-9			

## Wardrobe examples

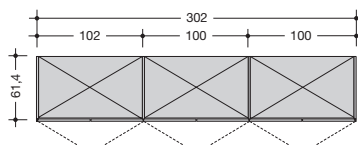
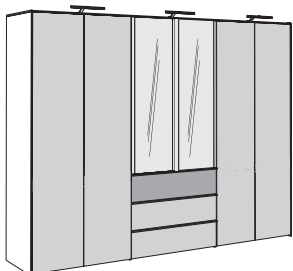
### 3-door hinge-door wardrobe 152 cm wide



### 5-door hinge-door wardrobe (centre door with right hinges) 252 cm wide



### 6-door hinge-door wardrobe 302 cm wide



## Hinge-door wardrobes

- Hinge-door wardrobes can be planned endlessly and combined with one another; exception: plain doors and design doors cannot be combined with one another
- Cornice profile, mirror fronts and lamps at a surcharge
- Unit outside widths: 42, 52, 82, 102, 122, 152, 162, 202 cm (basic units)  
40, 50, 80, 100, 120, 150, 160, 200 cm (extension units)
- Unit inside widths: 38, 48, 78, 98 cm
- Outside depth: 61.4 cm
- Inside depth: 56 cm
- Door opening angle: approx. 94°

## Lamps

All hinge-door wardrobes are available with top LED lamps. One top LED lamp is fitted standard above each element – 1 or 2 door – 12 V; 2.4 W. If required, a top LED lamp can be fitted centrally above each door. Please include a sketch in all cases. Switching is done by an external foot switch. A radio remote control is also available as an alternative, which is charged extra. The radio remote control incorporates one transmitter and one receiver which operate all the LED lamps. The foot switch is omitted when the radio remote control is employed.

Please note: When including the cornice profile, please note that the distance to the ceiling must be at least 2.0 cm.

**Radio remote control with change of colour temperature**  
(transmitter + receiver)

**2119** -

**Top LED lamp**  
Surcharge for each additional lamp (2.4 W)  
Type




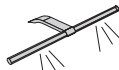
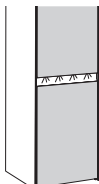

**395** -

This luminaire contains built-in LED lamps of the energy classes A++ to A. The lamps cannot be changed in the luminaire. 12 V

# Hinge-door wardrobes

For each project please remember to leave a 2 cm gap to the ceiling and at the side for assembly!

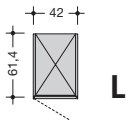
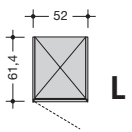
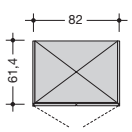
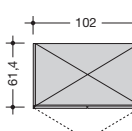
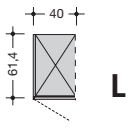
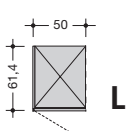
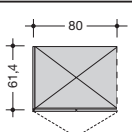
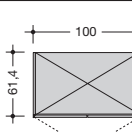
**PULSO**

<p><b>Hinge-door wardrobes</b></p> <p><b>Height:</b> 229.6 cm (height with cornice profile and/or top LED lamp: see table on page 6 top right; height reductions in intervals of 1.0 cm without surcharge)</p> <p><b>Width:</b> see table</p> <p><b>Depth:</b> 61.4 cm (depth with cornice profile and/or top LED lamp: see table on page 6 top right)</p> <p>Standard interior fittings per unit: 2 fitted shelves, 1 clothes rod; all interior fittings are in standard <b>white lacquer</b>.</p> <p><b>Important note:</b> Plain doors and design doors cannot be combined with one another!</p>	<p><b>Plain door</b></p>  <p>Carcase depth: 61.4 cm Front thickness: 2.3 cm Total depth (without handles): 61.4 cm</p>	<p><b>Design door</b></p>  <p>Carcase depth: 61.4 cm Front thickness: 2.3 cm Total depth (without handles): 61.4 cm</p>	<p><b>Surcharge for cornice profile</b></p> 	<p><b>Surcharge for top LED lamp</b></p> <p>1 lamp per unit</p> 	<p><b>Surcharge for LED handle slat lamp for design door</b></p> <p>Each design door can be fitted with an optional LED handle slat lamp which is charged extra.</p> 	<p><b>Surcharge for mirror</b></p> <p>Each wardrobe door can be fitted with an optional flush-front mirror which is charged extra.</p> 
	<p>This luminaire contains built-in LED lamps of the energy classes A++ to A. The lamps cannot be changed in the luminaire. 12 V</p>					

**Basic units** with 2 outer side-sections (each 2 cm thick)



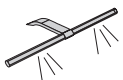

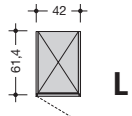
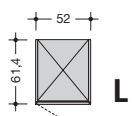
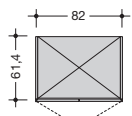
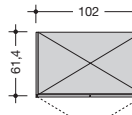
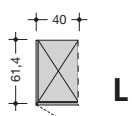
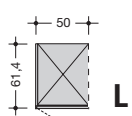
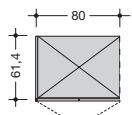
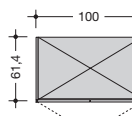
For each wardrobe combination, the first element on the left is considered to be the basic unit, incorporating both outer side-sections. One can only include one basic unit in each combination. When adding on extension units, the right-hand side-section is employed as the end side-section.

Please also note the functional and high-quality **wardrobe interior fittings** in the „Wardrobe interior fittings“ type list as well as the special articles and possible **special-sized products**.

 <p>Single-door unit, left or right, 42 cm wide</p>	<p>Price gr.</p> <p>I</p> <p>II</p>	<p><b>A02011 L</b> <b>A02012 R</b></p> <p>-</p> <p>-</p>	<p><b>D02011 L</b> <b>D02012 R</b></p> <p>-</p> <p>-</p>	<p><b>3410</b></p> <p>-</p> <p>-</p>	<p>395</p>	<p>Surcharge for LED handle slat lamp per hinge-door:</p>	<p>Surcharge for mirror per hinge-door:</p>
 <p>Single-door unit, left or right, 52 cm wide</p>	<p>Price gr.</p> <p>I</p> <p>II</p>	<p><b>A2011 L</b> <b>A2012 R</b></p> <p>-</p> <p>-</p>	<p><b>D2011 L</b> <b>D2012 R</b></p> <p>-</p> <p>-</p>	<p><b>3420</b></p> <p>-</p> <p>-</p>			
 <p>Twin-door unit, 82 cm wide</p>	<p>Price gr.</p> <p>I</p> <p>II</p>	<p><b>A0202</b></p> <p>-</p> <p>-</p>	<p><b>D0202</b></p> <p>-</p> <p>-</p>	<p><b>3430</b></p> <p>-</p> <p>-</p>			
 <p>Twin-door unit, 102 cm wide</p>	<p>Price gr.</p> <p>I</p> <p>II</p>	<p><b>A202</b></p> <p>-</p> <p>-</p>	<p><b>D202</b></p> <p>-</p> <p>-</p>	<p><b>3440</b></p> <p>-</p> <p>-</p>			
<p><b>Extension units</b> with 1 centre partition (2 cm thick)</p>							
 <p>Single-door unit, left or right, 40 cm wide</p>	<p>Price gr.</p> <p>I</p> <p>II</p>	<p><b>A00011 L</b> <b>A00012 R</b></p> <p>-</p> <p>-</p>	<p><b>D00011 L</b> <b>D00012 R</b></p> <p>-</p> <p>-</p>	<p><b>3460</b></p> <p>-</p> <p>-</p>	<p>395</p>	<p>Surcharge for LED handle slat lamp per hinge-door:</p>	<p>Surcharge for mirror per hinge-door:</p>
 <p>Single-door unit, left or right, 50 cm wide</p>	<p>Price gr.</p> <p>I</p> <p>II</p>	<p><b>A0011 L</b> <b>A0012 R</b></p> <p>-</p> <p>-</p>	<p><b>D0011 L</b> <b>D0012 R</b></p> <p>-</p> <p>-</p>	<p><b>3470</b></p> <p>-</p> <p>-</p>			
 <p>Twin-door unit, 80 cm wide</p>	<p>Price gr.</p> <p>I</p> <p>II</p>	<p><b>A0002</b></p> <p>-</p> <p>-</p>	<p><b>D0002</b></p> <p>-</p> <p>-</p>	<p><b>3480</b></p> <p>-</p> <p>-</p>			
 <p>Twin-door unit, 100 cm wide</p>	<p>Price gr.</p> <p>I</p> <p>II</p>	<p><b>A002</b></p> <p>-</p> <p>-</p>	<p><b>D002</b></p> <p>-</p> <p>-</p>	<p><b>3490</b></p> <p>-</p> <p>-</p>			

# Hinge-door wardrobes

Dark grey shading in the sketches = Components in accent versions



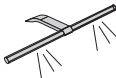

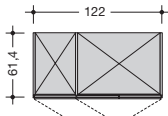
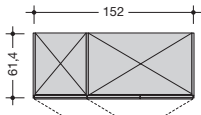
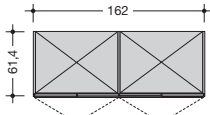
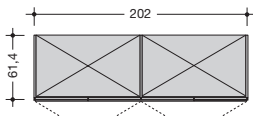
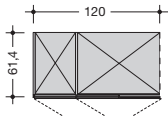
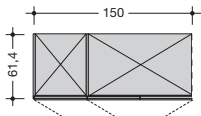
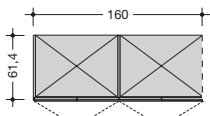
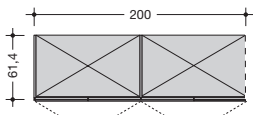
Hinge-door wardrobes		Plain door and 3 drawers	Surcharge for cornice profile	Surcharge for top LED lamp	Surcharge for mirror
<p><b>Height:</b> 229.6 cm (height with cornice profile and/or top LED lamp: see table on page 6 top right; height reductions in intervals of 1.0 cm without surcharge)</p> <p><b>Width:</b> see table</p> <p><b>Depth:</b> 61.4 cm (depth with cornice profile and/or top LED lamp: see table on page 6 top right)</p> <p>Standard interior fittings per unit: 2 fitted shelves, 1 clothes rod; all interior fittings are in standard <b>white lacquer</b>.</p> <p><b>Important note:</b> Plain doors and design doors cannot be combined with one another!</p>		 <p>Carcase depth: 61.4 cm Front thickness: 2.3 cm Total depth (without handles): 61.4 cm</p>		<p>1 lamp per unit</p> 	<p>Each wardrobe door can be fitted with an optional flush-front mirror which is charged extra.</p> 
<p><b>Basic units</b> with 2 outer side-sections (each 2 cm thick)</p> <p>For each wardrobe combination, the first element on the left is considered to be the basic unit, incorporating both outer side-sections. One can only include one basic unit in each combination. When adding on extension units, the right-hand side-section is employed as the end side-section.</p>			<p>Please also note the functional and high-quality <b>wardrobe interior fittings</b> in the „Wardrobe interior fittings“ type list as well as the special articles and possible <b>special-sized products</b>.</p>		
	<p>Single-door unit, left or right, 3 drawers, 42 cm wide</p>	<p>Price gr. I II</p>	<p><b>A02911 L</b> <b>A02912 R</b></p> <p>- -</p>	<p><b>3410</b></p> <p>- -</p>	<p>Please mark exactly in the front sketch or state in the order (from the left) which hinge-doors are to be fitted with a mirror.</p> <p><b>Surcharge for mirror per hinge-door:</b></p> <p>-</p>
	<p>Single-door unit, left or right, 3 drawers, 52 cm wide</p>	<p>Price gr. I II</p>	<p><b>A2911 L</b> <b>A2912 R</b></p> <p>- -</p>	<p><b>3420</b></p> <p>- -</p>	
	<p>Twin-door unit, 3 drawers, 82 cm wide</p>	<p>Price gr. I II</p>	<p><b>A0292</b></p> <p>- -</p>	<p><b>3430</b></p> <p>- -</p>	
	<p>Twin-door unit, 3 drawers, 102 cm wide</p>	<p>Price gr. I II</p>	<p><b>A292</b></p> <p>- -</p>	<p><b>3440</b></p> <p>- -</p>	
<p><b>Extension units</b> with 1 centre partition (2 cm thick)</p>					
	<p>Single-door unit, left or right, 3 drawers, 40 cm wide</p>	<p>Price gr. I II</p>	<p><b>A00911 L</b> <b>A00912 R</b></p> <p>- -</p>	<p><b>3460</b></p> <p>- -</p>	
	<p>Single-door unit, left or right, 3 drawers, 50 cm wide</p>	<p>Price gr. I II</p>	<p><b>A0911 L</b> <b>A0912 R</b></p> <p>- -</p>	<p><b>3470</b></p> <p>- -</p>	
	<p>Twin-door unit, 3 drawers, 80 cm wide</p>	<p>Price gr. I II</p>	<p><b>A0092</b></p> <p>- -</p>	<p><b>3480</b></p> <p>- -</p>	
	<p>Twin-door unit, 3 drawers, 100 cm wide</p>	<p>Price gr. I II</p>	<p><b>A092</b></p> <p>- -</p>	<p><b>3490</b></p> <p>- -</p>	



# Hinge-door wardrobes

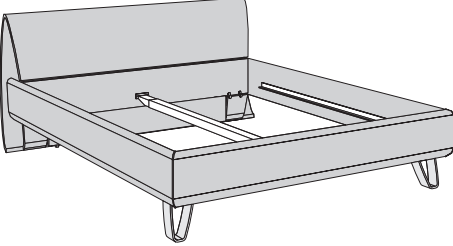
For each project please remember to leave a 2 cm gap to the ceiling and at the side for assembly!

**PULSO**

Hinge-door wardrobes		Plain door and 3 drawers	Surcharge for cornice profile	Surcharge for top LED lamp	Surcharge for mirror
<p><b>Height:</b> 229.6 cm (height with cornice profile and/or top LED lamp: see table on page 6 top right; height reductions in intervals of 1.0 cm without surcharge)</p> <p><b>Width:</b> see table</p> <p><b>Depth:</b> 61.4 cm (depth with cornice profile and/or top LED lamp: see table on page 6 top right)</p> <p>Standard interior fittings per unit: 2 fitted shelves, 1 clothes rod; all interior fittings are in standard <b>white lacquer</b>.</p> <p><b>Important note:</b> Plain doors and design doors cannot be combined with one another!</p>		 <p>Carcase depth: 61.4 cm Front thickness: 2.3 cm Total depth (without handles): 61.4 cm</p>		 <p>1 lamp per unit</p>	 <p>Each wardrobe door can be fitted with an optional flush-front mirror which is charged extra.</p>
<p><b>Basic units</b> with 2 outer side-sections (each 2 cm thick)</p> <p>For each wardrobe combination, the first element on the left is considered to be the basic unit, incorporating both outer side-sections. One can only include one basic unit in each combination. When adding on extension units, the right-hand side-section is employed as the end side-section.</p>			<p>Please also note the functional and high-quality <b>wardrobe interior fittings</b> in the „Wardrobe interior fittings“ type list as well as the special articles and possible <b>special-sized products</b>.</p>		
	<p>Triple-door unit, 3 drawers, 122 cm wide</p>	<p>as illustr. v. versa</p> <p>Price gr. I II</p>	<p><b>A04331</b> <b>A04332</b></p> <p>- -</p>	<p><b>3510</b></p> <p>- -</p>	<p>Please mark exactly in the front sketch or state in the order (from the left) which hinge-doors are to be fitted with a mirror.</p> <p><b>Surcharge for mirror per hinge-door:</b></p> <p>-</p>
	<p>Triple-door unit, 3 drawers, 152 cm wide</p>	<p>as illustr. v. versa</p> <p>Price gr. I II</p>	<p><b>A4331</b> <b>A4332</b></p> <p>- -</p>	<p><b>3520</b></p> <p>- -</p>	
	<p>Quadruple-door unit, 3 drawers, 162 cm wide</p>	<p>Price gr. I II</p>	<p><b>A0433</b></p> <p>- -</p>	<p><b>3530</b></p> <p>- -</p>	
	<p>Quadruple-door unit, 3 drawers, 202 cm wide</p>	<p>Price gr. I II</p>	<p><b>A433</b></p> <p>- -</p>	<p><b>3540</b></p> <p>- -</p>	
<p><b>Extension units</b> with 1 centre partition (2 cm thick)</p>					
	<p>Triple-door unit, 3 drawers, 120 cm wide</p>	<p>as illustr. v. versa</p> <p>Price gr. I II</p>	<p><b>A00331</b> <b>A00332</b></p> <p>- -</p>	<p><b>3560</b></p> <p>- -</p>	<p>For this wardrobe unit we recommend 2 top LED lamps.</p> <p><b>395</b></p>
	<p>Triple-door unit, 3 drawers, 150 cm wide</p>	<p>as illustr. v. versa</p> <p>Price gr. I II</p>	<p><b>A0331</b> <b>A0332</b></p> <p>- -</p>	<p><b>3570</b></p> <p>- -</p>	
	<p>Quadruple-door unit, 3 drawers, 160 cm wide</p>	<p>Price gr. I II</p>	<p><b>A0033</b></p> <p>- -</p>	<p><b>3580</b></p> <p>- -</p>	
	<p>Quadruple-door unit, 3 drawers, 200 cm wide</p>	<p>Price gr. I II</p>	<p><b>A033</b></p> <p>- -</p>	<p><b>3590</b></p> <p>- -</p>	

# Beds with wooden headboard

Please also note the mattresses and base frames in the "Sleeping systems" type list!

<b>Beds with wooden headboard</b> Bed headboard and bed sides in wooden or lacquer version, bed corners and bed legs of metal, pure white or anthracite powder-coated Beds incl. support slats for base frames and mattresses • Adjustable in height by 3.2 cm downwards and upwards • Usable bed inside height: max. 18.0 cm  <b>Please state all the versions clearly in the order!</b>	Inside dims.	Outside dims.	Type no.	Price group I	Price group II
	160x200 180x200 200x200	168x208.3 188x208.3 208x208.3	626 627 628	- - -	- - -
	160x210 180x210 200x210	168x218.3 188x218.3 208x218.3	636 637 638	- - -	- - -
<b>Bed sizes:</b> Headboard height: 89.5 cm Height of top rim of bed side: 46.1 cm Space to floor: 18.8 cm Usable bed inside height (when support slats in bottom position): 18.0 cm	160x220 180x220 200x220	168x228.3 188x228.3 208x228.3	646 647 648	- - -	- - -

## Possible arrangements

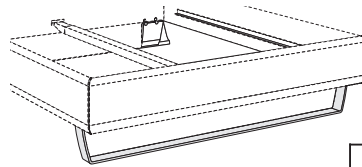


**Additional fittings for beds**

**Arched support**

Beds stand on loop-shaped bed legs as standard. They are optionally available on an arched support with a hovering look against a surcharge. The arched support is always delivered in the same version as the bed corners.

**Please state the required version of the bed corners and arched support clearly in the order!**

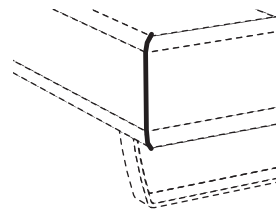


**3002**  
without surcharge

**Bed corners**

Bed corners are available in various versions (see list of versions on the range introductory page) and are always delivered in the same version as the bed legs.

**Please state the required version of the bed corners and legs clearly in the order!**



without surcharge

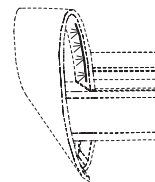
**Lamps**

This luminaire contains built-in LED lamps of the energy classes A++ to A. The lamps cannot be changed in the luminaire. 12 V	LED lamps incl. foot switch. A radio remote control is possible for operation (against a surcharge).
---	--

**LED headboard lamp (set of 2)**

LED lamp for fitting at the side in the headboard (left and right)

Later fitting is not possible.

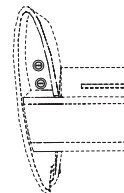


**979**  
-

**Socket for headboard**

Socket for fitting at the side in the headboard (left and/or right). It is also possible to fit 2 sockets above each other.

Later fitting is not possible.

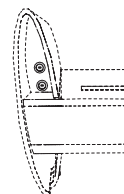


**6**  
-

**USB socket for headboard**

USB socket for fitting at the side in the headboard (left and/or right). It is also possible to fit 2 sockets above each other.

Later fitting is not possible.

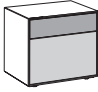
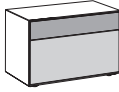



**7**  
-

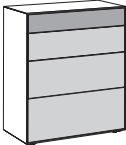
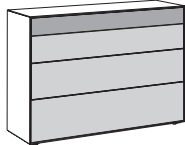
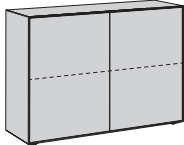
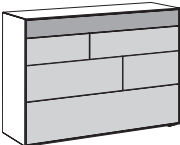
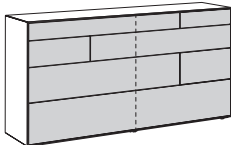
# Ancillary units

Dark grey shading in the sketches = Components in accent versions

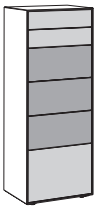

## Consoles, ancillary table

<b>Consoles</b> on 1.8 cm high plinth adjusters; 46.6 cm high; 44.8 cm deep  <b>Ancillary table</b> 49.1 cm high; Ø 40.0 cm	2 drawers	2 drawers	Ancillary table
	 51.2 cm wide	 70.0 cm wide	 Ø 40.0 cm
Price gr. I II	<b>5205</b> - -	<b>5207</b> - -	<b>5206</b> - - -

## Chests

<b>Chests</b> on 1.8 cm high plinth adjusters; 91.4 cm high; 44.8 cm deep	4 drawers	4 drawers	2 doors with 1 fitted shelf
	 76.8 cm wide	 128.0 cm wide	 128.0 cm wide
Price gr. I II	<b>5047</b> - -	<b>50412</b> - -	<b>52128</b> - -
	4 drawers	4 drawers with split drawer frames	
	 128.0 cm wide	 179.2 cm wide	
Price gr. I II	<b>54128</b> - -	<b>54179</b> - -	

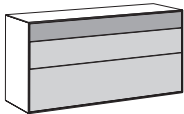
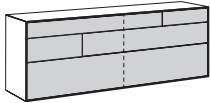
## High chests

<b>High chests</b> on 1.8 cm high plinth adjusters; 136.9 cm high; 44.8 cm deep	6 drawers	<b>Top:</b> 1 flap <b>Bottom:</b> 3 drawers
	 51.2 cm wide	 51.2 cm wide
Price gr. I II	<b>5605</b> - -	<b>5615</b> - -

**Assembly notes for wall units:**  
Please be sure to note here the information and notes in the "Wall composition" chapter!


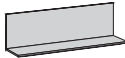
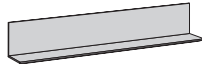
## Wall chests

The wall chests may only be fitted on absolutely solid walls. Gypsum or other light masonry is not suitable for this purpose. Please be sure to note here the information and notes in the "Wall composition" chapter!

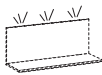
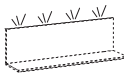

<b>Wall chests</b> 64.0 cm high; 44.8 cm deep  Max. load 30 kg	3 drawers   128.0 cm wide	3 drawers with split drawer frames   179.2 cm wide
	Price gr. I II	<b>53128</b>  - -

## Angled shelves

The angled shelves may only be fitted on absolutely solid walls. Gypsum or other light masonry is not suitable for this purpose. Please be sure to note here the information and notes in the "Wall composition" chapter!

<b>Angled shelves</b> 22.6 cm high; 22.6 cm deep  for fitting anywhere on walls  Max. load: 15 kg  LED lamps for angled shelves: see below!	 51.2 cm wide	 70.0 cm wide	 128.0 cm wide
	Price gr. I II	<b>550</b>  - -	<b>570</b>  - -

## LED lamps for angled shelves

This luminaire contains built-in LED lamps of the energy classes A++ to A. The lamps cannot be changed in the luminaire. 12 V		LED lamps incl. foot switch. A radio remote control is possible for operation (against a surcharge).	
<b>LED lamps for angled shelves</b>          1 W per lamp	 for 51.2 cm width	 for 70.0 cm width	 for 128.0 cm width
	Price gr. I II	<b>5001</b>  -	<b>5002</b>  -

## Radio remote control with change of colour temperature

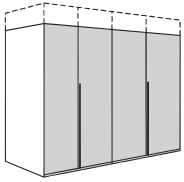
The lamps are normally operated by an external foot switch. The colour temperature of the LED lamps is cold white if a foot switch is used. A 4-channel radio remote control is also available as an alternative, which is charged extra. Several lamps can be operated with each of the 4 channels. All 4 channels can be dimmed separately at the push of a button. The colour temperature of all 4 channels can be set to any level from cold white (approx. 6500 kelvin = the basic setting of the LED lamps) to warm white (approx. 2700 kelvin). If warm white is required, a radio remote control must be ordered. It is also possible to switch all channels on and off simultaneously with the "all on" or "all off" buttons. The radio remote control consists of one transmitter and one receiver. If several receivers are required because of the arrangement of the units, these and the corresponding cables are provided ex-works (no surcharge). The foot switch is omitted when the radio remote control is used.



2119

# Special-sized products

## Special heights, special widths, special depths



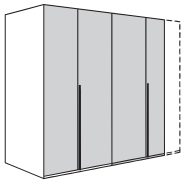
### Special heights

- Hinge-, folding- and sliding-door wardrobes can be reduced in height at intervals of 1.0 cm.
- Below eye-level we recommend fitting a top cover shelf made of panelling material. Please state in order!
- Special heights in stepped versions (not possible on sliding-door wardrobes) at a surcharge.

Surcharge per step:

00030

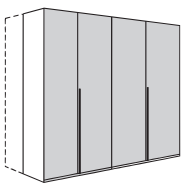
-



### Special widths

Only applies to hinge- and folding-door wardrobes

- Single-door units, left or right hinges, can be reduced down to 25 cm width (apart from profiled doors).
- Twin-door units can be reduced at both sides down to 50 cm total width (apart from profiled doors).
- Interior fittings such as drawers and other fittings cannot be reduced in width.
- For notes on width reductions on MULTI-FORMA II sliding-door wardrobes please see special-sized products for MULTI-FORMA II!



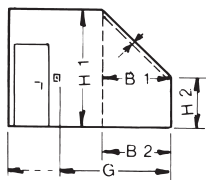
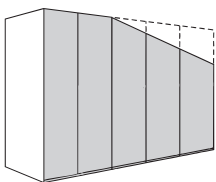
### Special depths

- Depth reductions are made on side sections, plinths, cornices and shelves.
- Interior fittings such as drawers and other fittings cannot be reduced in depth.
- A max. reduction of 30.0 cm is possible on hinge- and folding-door wardrobes.
- A max. reduction of 9.0 cm is possible on profiled hinge-doors.
- For sliding-door wardrobes, a max. reduction of 30.0 cm is possible (max. 18 cm in combination with the electrical opening system for MULTI-FORMA II).
- Please note that for technical production reasons not every special depth can be achieved:  
2.5 cm standard reduction between 0 and 2.5 cm  
5.0 cm standard reduction between 4.5 and 5.0 cm  
27.5 cm standard reduction between 27.0 and 27.5 cm

## Notes on calculating sizes of sloping units

### Side sloping

Sloping is only possible on single-door units. The door hinge (left or right) is positioned on the taller outer side of the unit.

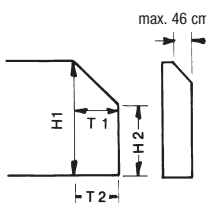
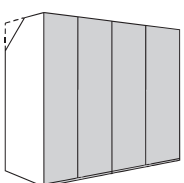


#### Measurements required:

- H 1 = Room height
- H 2 = Height of slope (If a space is required between the wall and the wardrobe/unit, please state the exact distance.)
- B 1 = Width of slope
- B 2 = Width of slope
- G = Total width
- S = Wardrobe width

#### Please note!

- If the slope cuts across the position of a handle, the handle of this door only is positioned further down in production.
- As floors, ceilings and walls are never exactly straight, the exact room size must be measured using a spirit level.
- If a cornice is fitted, please state if this is to be continued in the sloping section.



### Rear sloping

Rear sloping is possible on all wardrobe units.

#### Measurements required:

- H 1 = Room height
- H 2 = Height of slope (If a space is required between the wall and the wardrobe/unit, please state the exact distance.)
- T 1 = Depth of slope
- T 2 = Depth of slope



PULSO

Wardrobes

<b>Special heights:</b>			
Hinge-door	- Wood	<b>0003</b>	without surcharge
Hinge-door	- Mirror	<b>00031</b>	without surcharge
<b>Special widths:</b>			
for single-door unit	- Wood	<b>0005</b>	-
for single-door unit	- Mirror	<b>00051</b>	-
for twin-door unit	- Wood	<b>0006</b>	-
for twin-door unit	- Mirror	<b>00061</b>	-

Special widths are not possible for hinge-door wardrobes with design doors or with plain doors with drawers.

When ordering extra fitted shelves and clothes rods			
Size reduction surcharge per fitted shelf		<b>9991</b>	-
Size reduction surcharge per clothes rod		<b>9992</b>	-

<b>Special depths:</b>			
Surcharge per unit		<b>0007</b>	-

Special depths are not possible for hinge-door wardrobes with plain doors with drawers.

When ordering extra fitted shelves			
Size reduction surcharge per fitted shelf		<b>9993</b>	-

<b>Side sloping:</b>			
Surcharge per unit without cornice in the slope		<b>9994</b>	-
Surcharge per unit with cornice in the slope		<b>99916</b>	-

Side sloping is possible up to a minimum height of 88.0 cm.

<b>Rear sloping:</b>			
Surcharge per unit		<b>99912</b>	-

Ancillary units

<b>Special heights</b> (drawers not possible in special height):			
Carcase		<b>99902</b>	-
Door		<b>99903</b>	-
Chest of drawers in drawer raster		<b>99902</b>	-

<b>Special widths:</b>			
Carcase		<b>999120</b>	-
Door		<b>999130</b>	-
Drawer		<b>999170</b>	-

When ordering extra fitted shelves			
Size reduction surcharge per fitted shelf		<b>999141</b>	-

<b>Special depths</b> (drawers not possible in special depth):			
Carcase		<b>99932</b>	-

When ordering extra fitted shelves			
Size reduction surcharge per fitted shelf		<b>999341</b>	-

Beds

Bed in special length 190 cm		<b>99964</b>	-
Bed with two footboards (all-round bed)		<b>99967</b>	without surcharge

**More special products are possible. Please get in touch with your customer advisor.**

Wardrobe doors are also available as separate units and are charged as follows:

**For 1 hinge-door/folding-door wing:** 50% of the concerning 1-door hinge-door extension unit

**For 1 sliding-door including mechanism:** 35% of the twin-door sliding-door wardrobe

For door superstructures, type **100** (max. 98 cm wide, only for assembly between wardrobes): 100% of twin-door hinge-door extension unit

**Panels** for side and top covering of fitted wardrobes (not possible for high-gloss versions; support construction and fitting materials must be acquired on site).

<b>For veneered/lacquered versions</b> (max. 268.0 cm long, max. 59.0 cm wide, 2.0 cm thick)			
Basis charge per order:		<b>9901</b>	-
+ price per m <sup>2</sup> - lacquer		<b>990</b>	-
+ price per m <sup>2</sup> - veneer		<b>990</b>	-

Veneer match with fronts can not be guaranteed.

<b>Edge veneer</b>			
for veneered/lacquered versions per m. length		<b>9902</b>	-

**165° hinges**  
Wardrobe doors can also be fitted with **165° hinges** against a surcharge (only possible on plain, straight hinge-doors; impossible on fabric-covered doors and accent fronts). Please mark the doors clearly in the order!

Surcharge for 165° hinges per hinge-door:		<b>180</b>	-
---	--	------------	---

<b>High-gloss care set</b>			
Polish, polishing sponge and polishing cloth (incl. instructions) for protecting and maintaining the high-gloss surfaces		<b>36</b>	-

**Individual special-sized products**  
If the special-sized product that you require is so unusual that it cannot be illustrated with the many special sized products that we already provide and charge for, then we will quote you the price using a HK unit type factor. In your order please state for us the relevant enquiry number and the HK unit type factor stated.

		<b>HK</b>	-
--	--	-----------	---

**Special colours; Note on „Blue Angel“ / Emissions label of DGM**

**Special colours**  
All the hülsta lacquer colours are possible for nearly all the hülsta ranges. Availability and prices on request.

**Note on „Blue Angel“ (RAL-UZ 38) and Emissions label of DGM (Class A)**  
It is possible that the requirements of the „Blue Angel“ and the DGM Emissions Label cannot be met by some of the lacquer colours in price groups II and III (see here the different lacquer versions in the NURIA range), depending on the colour mix (surface ratio of these colours in the corresponding order). However, the legal requirements are definitely met in all cases!

# Switch options for lamps: Radio remote control with change of colour temperature

## Radio remote control with change of colour temperature

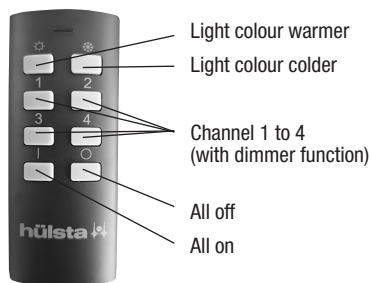
The lamps are normally operated by an external foot switch. The colour temperature of the LED lamps is cold white if a foot switch is used. A 4-channel radio remote control is also available as an alternative, which is charged extra. Several lamps can be operated with each of the 4 channels. All 4 channels can be dimmed separately at the push of a button. The colour temperature of all 4 channels can be set to any level from cold white (approx. 6500 kelvin = the basic setting of the LED lamps) to warm white (approx. 2700 kelvin). If warm white is required, a radio remote control must be ordered. It is also possible to switch all channels on and off simultaneously with the "all on" or "all off" buttons. The radio remote control consists of one transmitter and one receiver. If several receivers are required because of the arrangement of the units, these and the corresponding cables are provided ex-works (no surcharge). The foot switch is omitted when the radio remote control is used.

**The following points must be noted with the radio remote control:**

- The receiver must be positioned behind a rear wall or under plinth shelves (at least 20 mm space required under plinth shelves).
- The total wattage power of all lamps included per receiver must not exceed 30 W.
- 4 channels = 4 light groups
- 1 light group = x lights
- All lamps within a light group can be dimmed to the same brightness.
- The change of the colour temperature takes place for all lamps in all light groups.
- The radio remote control is not suitable for equipment operating on 110 V.

**Please be sure to note the operating and programming instructions!**

**4-channel radio remote control with change of color temperature**



**4-channel radio remote control with change of color temperature**

Type	2119	-
------	------	---

Examples of use (schematic diagrams)

**Example 1**

**Lights inside a unit**

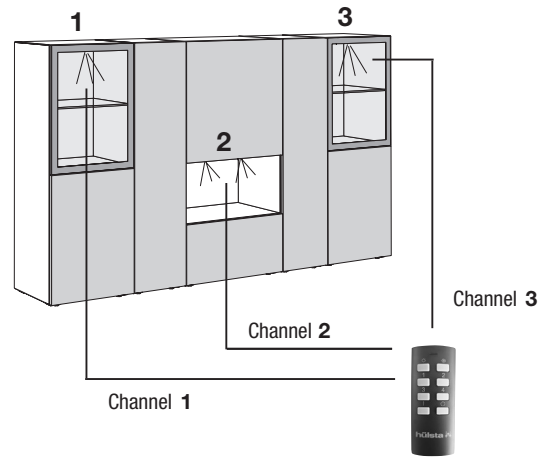
Channel 1 operates (and dims) all the lights in light group 1, i.e. the LED spotlamp in the left cabinet

Channel 2 operates (and dims) all the lights in light group 2, i.e. the LED spotlamps in the open compartment

Channel 3 operates (and dims) all the lights in light group 3, i.e. the LED spotlamp in the right cabinet

**Notes:**

The total wattage power of all lamps included per receiver must not exceed 30 W. The change of the colour temperature takes place for all lamps in all light groups.



**Example 2**

**Lights in units set apart**

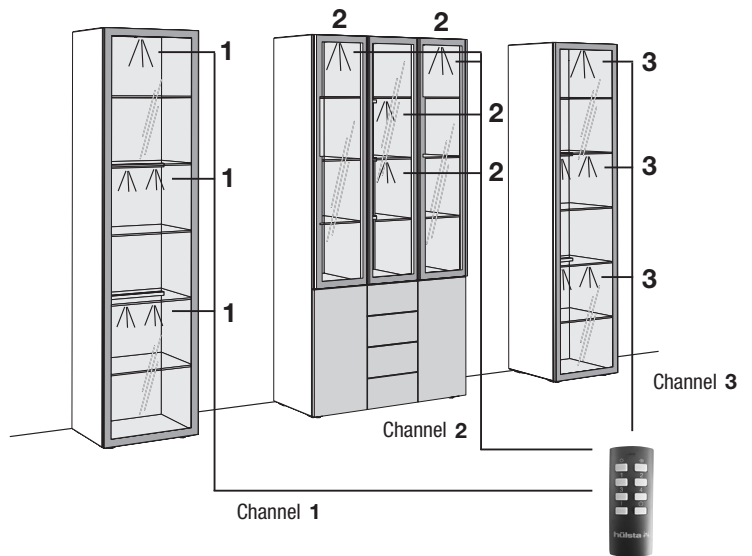
Channel 1 operates (and dims) all the lights in light group 1, i.e. the LED spotlamp and the LED light panels in the left cabinet

Channel 2 operates (and dims) all the lights in light group 2, i.e. the LED spotlamps and the LED light panels in the centre cabinet

Channel 3 operates (and dims) all the lights in light group 3, i.e. the LED spotlamp and the LED light panels in the right cabinet

**Notes:**

The total wattage power of all lamps included per receiver must not exceed 30 W. The change of the colour temperature takes place for all lamps in all light groups.



**Example 3**

**Lights in units set apart**

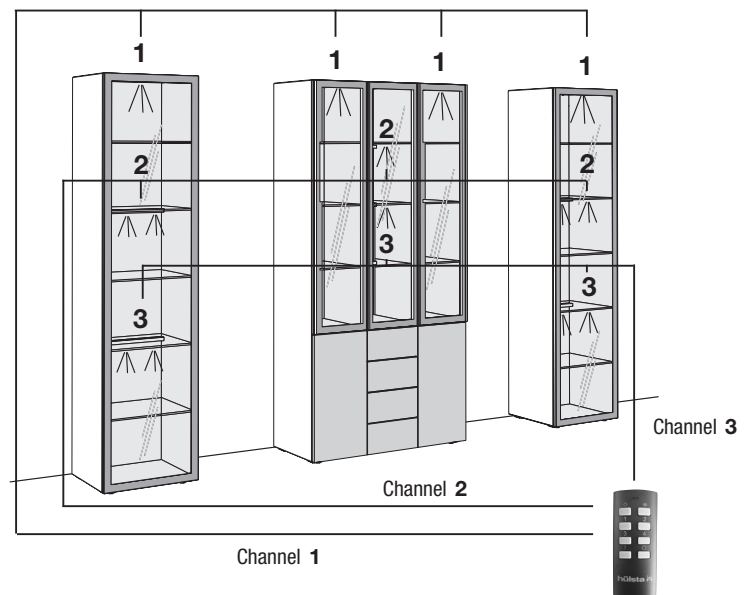
Channel 1 operates (and dims) all the lights in light group 1, i.e. the LED spotlamps in the left, centre and right cabinet

Channel 2 operates (and dims) all the lights in light group 2, i.e. the top LED light panels in the left, centre and right cabinet

Channel 3 operates (and dims) all the lights in light group 3, i.e. the bottom LED light panels in the left, centre and right cabinet

**Notes:**

The total wattage power of all lamps included per receiver must not exceed 30 W. The change of the colour temperature takes place for all lamps in all light groups.



# Usable bed inside height and space under bed

## Note on usable bed inside height:

The support slats of the hülsta beds are delivered in the centre position, i.e. they can be adjusted by 3.2 cm upwards and downwards (exception: for LUNIS beds in the standard surface height 1 only by 3.2 cm upwards). If the slats are set in the lowest position, the **maximum usable bed inside height** is achieved. In the case of some beds, the bed inside height is comparatively low. This means that mattresses in combination with base frames that are somewhat higher are not held so well by the bed side sections. Please note that the usable bed inside height of beds with height adjustable support slats is reduced when these are set higher.

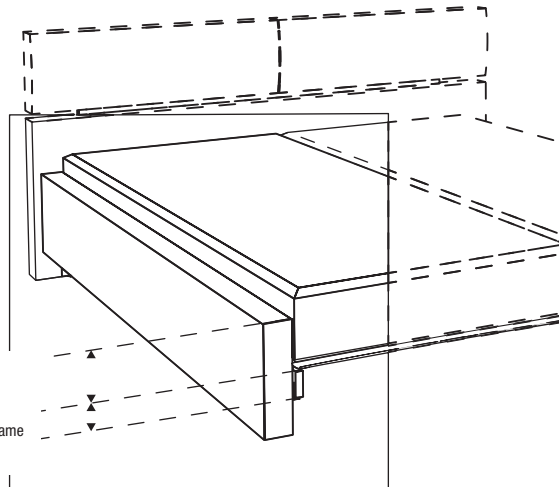
This is how to calculate the individual height from the data supplied with the base frames:

### Example (for all beds): bed and hülstaflex basic B base frame (back and foot sections adjustable)

**Max. usable bed inside height:**  
18.0 cm



approx. 12.5 cm for holding mattress  
5.5 cm total height of base frame (example: hülstaflex basic B)

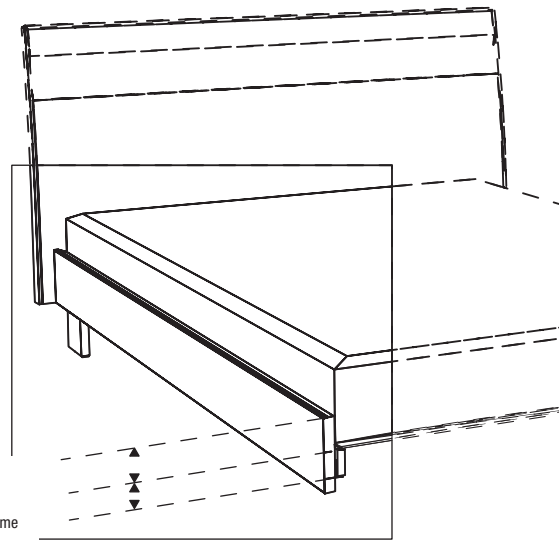


### LUNIS bed in standard surface height 1 and hülstaflex basic B base frame (back and foot sections adjustable)

**Max. usable bed inside height:**  
14.0 cm



approx. 8.5 cm for holding mattress  
5.5 cm total height of base frame (example: hülstaflex basic B)



## Note on space under bed:

The storage space underneath the base frame is calculated from the bed height minus the usable bed inside height.

Example bed:  $42.2 \text{ cm} - 18.0 \text{ cm} = 24.2 \text{ cm}$ .

## Wall composition / assembly instruction

**Important notes:**

The composition of walls must be ascertained before concluding a contract and be checked by a qualified fitter before assembly takes place.

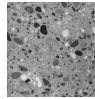

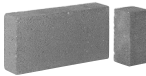

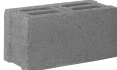


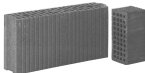
Assembly may only be carried out by a qualified fitter under careful observation of the assembly instructions.

The plastic Rawl plugs supplied by hülsta as a standard set are only suitable for concrete  $\geq$  C12/15, if the wall composition and compression strength corresponds to the table below. Under no circumstances must a unit be assembled on light masonry.

Furthermore, we provide a mounting set with assembly mortar for the types of walls listed below (see assembly mortar set below). Again, assembly must be carried out by a qualified fitter under careful observation of the wall composition and assembly instruction. The compression strength levels stated below must be met under all circumstances.

### Materials table

with a description of which sets are to be used with the following types of walls:

Standard set	Assembly mortar set only suitable for the materials stated below!
Concrete C12/15 Compression strength $\geq$ 15 N/mm <sup>2</sup> 	 Building bricks Mz 12 Compression strength $\geq$ 12 N/mm <sup>2</sup>
	 Solid blocks of light concrete V2 Compression strength $\geq$ 2 N/mm <sup>2</sup>
	 Limestone blocks KS 12 Compression strength $\geq$ 12 N/mm <sup>2</sup>
	 Perforated blocks of light concrete Hbl 2 Compression strength $\geq$ 2 N/mm <sup>2</sup>
	 Perforated sand lime bricks KSL12 Compression strength $\geq$ 12 N/mm <sup>2</sup>
	 Aerated concrete PP2 Compression strength $\geq$ 2 N/mm <sup>2</sup>
	 Vertically perforated bricks HLZ 12 Compression strength $\geq$ 12 N/mm <sup>2</sup> Bulk density $\geq$ 1.0 kg/dm <sup>3</sup>

A different and more suitable type of mounting must be chosen by a qualified fitter in all other cases. hülsta cannot accept any responsibility for the choice of any other types of mounting! Please note that if the units are not mounted properly on the wall, there is a risk of the units falling down or tipping over – especially when alternative mounting materials acquired on site have been used. Generally speaking, you as a dealer/qualified fitter are responsible for the correct wall mounting of the units.



## Mounting sets

**Labelling in type list drawings / assembly notes for wall units**

The majority of units have two wall mounting points (= number of support boards), if these are to be fitted as wall units. This is not explicitly mentioned in the type list. If a different number of wall mounting points (= support boards) is required, this is marked in the drawings in the type list with numbers in black boxes. Every support board requires four mounting screws.

- 3** = 3 support boards
- 4** = 4 support boards, etc.

One **assembly mortar set** is sufficient for up to a maximum of 3 support boards or 4 wall side-panels.

**Important note:** Depending on the composition of the wall (see wall types illustrated above), assembly must be carried out using the special assembly mortar set and a standard trade mastic tool which are the basic essentials for safe and clean workmanship.

**Standard set**

The standard set consists of 4 plastic Rawl plugs and 4 mounting screws and is sufficient for 1 support board. The standard sets are included in the packet of fittings to match the number of support boards.

**Assembly mortar set for up to a maximum of 3 support boards consisting of:**

- 9x injection retaining sleeve
- 9x screw-in sleeve
- 1x injection cartridge
- 2x static mixer
- 1x assembly instructions

Please use the mounting screws from the standard set (supplied free of charge).

**Example of order:**

- Add up number of support boards for all existing unit types
  - Divide the sum by “3”
  - Round up the result to a full number
- = Number of assembly mortar sets required

M2

-

## Your Hotline to hülsta

Do you have any questions or require any alterations to your order confirmation?  
Do you have any questions on our products or your current order?  
Do you have any complaints about supplied goods or required replacement parts?  
Contact Telephone: +49 (0) 2563 / 86-1144 • email: orders@huelsta.com

Do you have any questions, suggestions or wishes for the **hülsta Marketing team**  
or the **hülsta product seminars**?  
Contact Telephone: +49 (0) 2563 / 86-1611 • email: marketing@huelsta.com

## hülsta Planning Service

Lots to do? A customer wants his project finished and you haven't got enough time? Or the project is so complex that it will take too much time?

This is exactly the kind of situation we created the hülsta Planning Service for. hülsta's employees create the required project for you at short notice. Based on your information, we implement the project perfectly with all views and a complete order list ready for immediate forwarding to the customer.

The hülsta check list (available at <https://hulsta.com/de/service/showroom/>) makes it all really easy for you. You won't forget anything with this list and the customer receives a project he will be thrilled about as quickly as possible.

### hülsta Planning Service

Tel.: +49 (0) 2563 / 86-0

Fax: +49 (0) 2563 / 86-2666

Mail: Planungsservice-Handel@huelsta.de

Workdays from 8.00 a.m. until 6.00 p.m.

## Special wishes? Come to us!

**Maximum individuality! – Maximal flexibility! – hülsta makes most of your special wishes possible.**

And if you do have a wish which is not quite so easy to implement, just give us a call or send us a mail or a fax. We have our own hülsta "Special Wishes Team" who are there to help you realise just these customer requests. These colleagues are professionals when it comes to special products. They plan and calculate the products possible for you and even develop an alternative suggestion if the idea should turn out to be technically impossible.

**Here is an overview of the hülsta range of special wishes:**

- A lot of special products can be ordered simply via the type list
- Special-sized products are planned simply and professionally
- Competent colleagues advise you by phone, by fax and by mail
- You will be sent alternative suggestions if the idea is technically impossible
- Many special-sized products are available without a surcharge
- Specially qualified carpenters and technicians implement your plans perfectly

### hülsta Special Wishes Team

Tel.: +49 (0) 2563 / 86-0

Fax: +49 (0) 2563 / 86-1417

Mail: Sonderwunsch@huelsta.com

## We are open Saturdays for you, too!

Our **Saturday hotline** is available all day from **10.00 a.m. until 6.00 p.m.**

Telephone: +49 (0) 2563 / 86-1800

On **working days** the hülsta Sales Department is available all day from **8.00 a.m. until 6.00 p.m.**

## hülsta PULSO

Stand: E 6.2019

Design and concept legally protected, subject to error and alterations to construction, colour and materials by way of technological progress.

hülsta-werke · Karl-Hüls-Straße 1 · D-48703 Stadtlohn  
Tel. +49 (0) 2563 / 86-0 · Fax +49 (0) 2563 / 86-1000  
[www.huelsta.com](http://www.huelsta.com)

**hülsta** 